

A3 DRG. No.

PROPRIETARY INFORMATION
This document contains proprietary information which is forwarded to you in confidence for a specific purpose. It shall not be reproduced nor transferred to other documents nor disclosed to others, nor used for manufacturing or any other purpose without the prior written permission of Digital Projection Ltd. It shall be returned immediately upon request.

DRAWN BS 308
3rd Angle Projection

Distribution Code

Last Change
DATE ISSUED - 6-12-19

ITEM	DESCRIPTION	REFER TO	No Off	REMARKS
3				
2				
1				
	MATERIAL	FINISH		
	CODE			

TOLERANCES UNLESS OTHERWISE STATED		CAD GENERATED DRAWING. DO NOT MAKE MANUAL CHANGES		FIRST USED ON	
METRIC: 1.000 = ±0.01 1.00 = ±0.1 1.0 = ±0.2 1 = ±0.4		DIMENSIONS IN MILLIMETRES		UNLESS OTHERWISE STATED	
IMPERIAL: Fractional ±1/64" Decimal ± 0.005"		REMOVE ALL BURRS & SHARP EDGES. DO NOT SCALE DRAWING THE SURFACE TEXTURE ROUGHNESS NUMBER OF MACHINED SURFACES SHOULD BE EQUAL TO OR LESS THAN 0.8µm (N6 CLA32)		ORIGINAL SCALE 1:7	
ANGLES ± 0° 30'		REV. A		DRAWN jcharnley	TITLE SEE ABOVE
		NOTE		APP.ENG.	COMPONENT OR DRG.No. SEE ABOVE
		DRAWN jcharnley		DATE 06-12-19	
		APP.DO.			
		DATE 06-12-19			

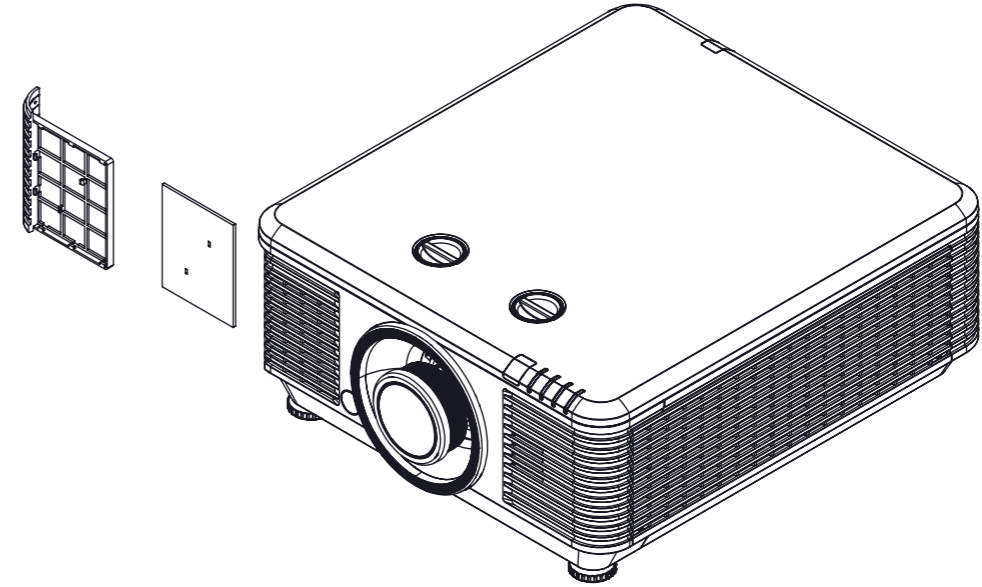
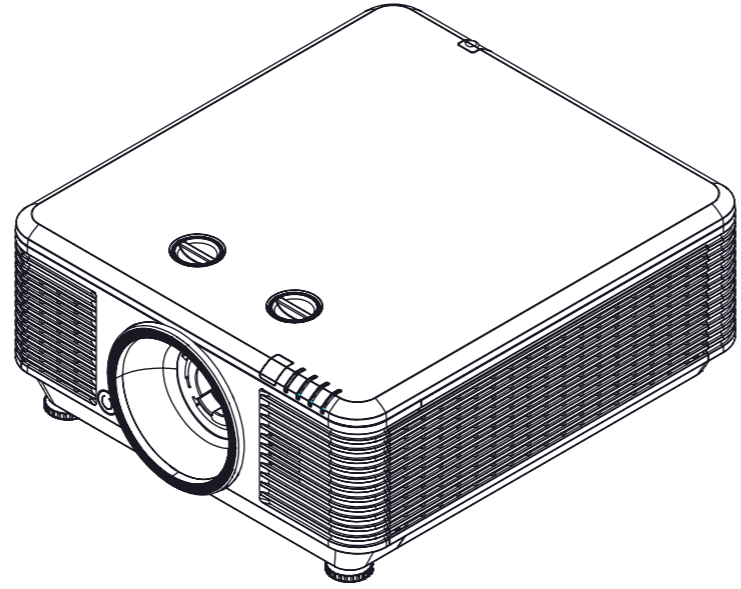
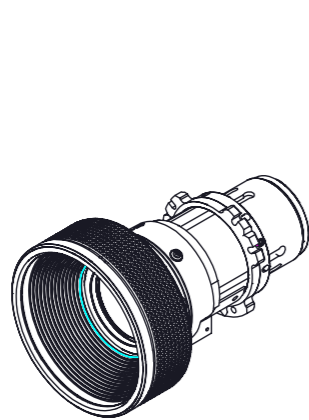
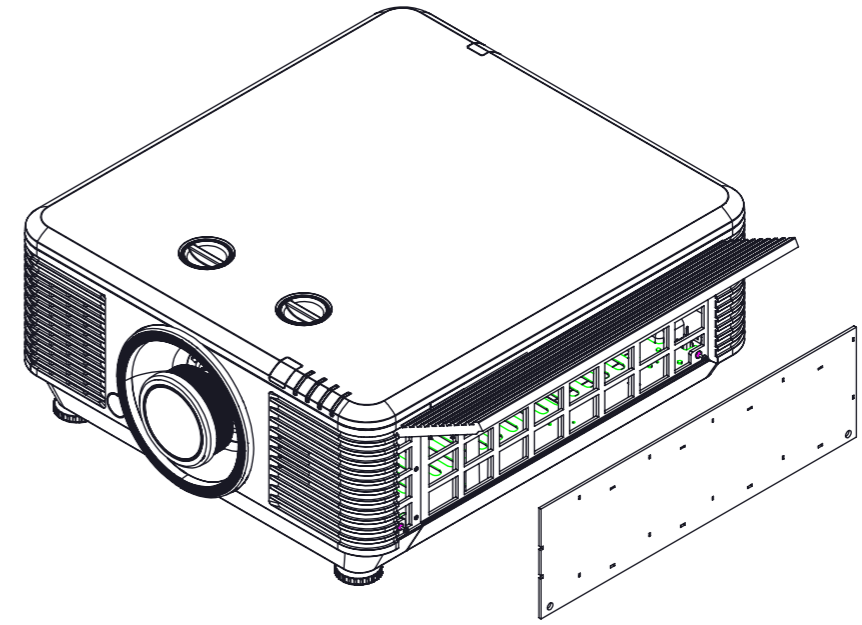
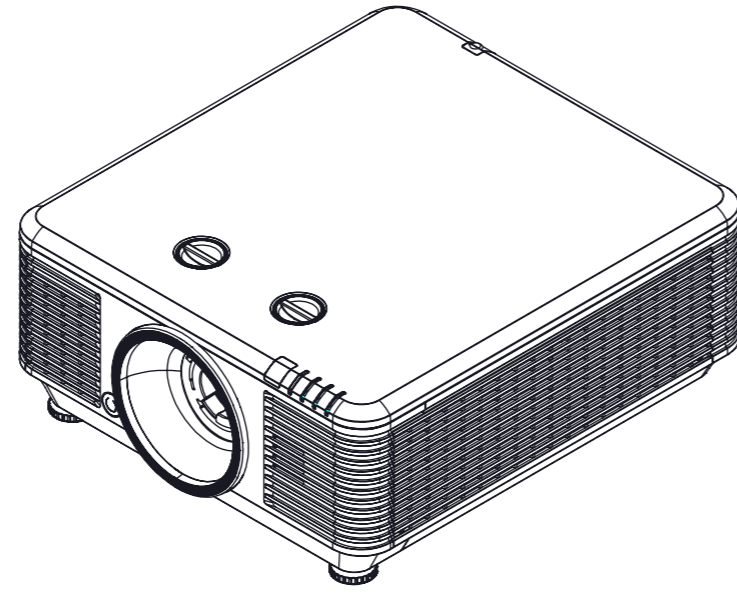


A

PRE REVS

1 2 3 4 5 6 7

IF IN DOUBT, ASK.

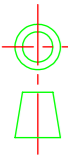


A
B
C
D
E

A3 DRG. No.

PROPRIETARY INFORMATION
This document contains proprietary information which is forwarded to you in confidence for a specific purpose. It shall not be reproduced nor transferred to other documents nor disclosed to others, nor used for manufacturing or any other purpose without the prior written permission of Digital Projection Ltd. It shall be returned immediately upon request.

DRAWN BS 308
3rd Angle Projection




Distribution Code

Last Change

DATE ISSUED - 6-12-19

3					
2					
1					
ITEM	DESCRIPTION	REFER TO	No Off	REMARKS	
	MATERIAL	FINISH			
A					
PRE REVS	CODE				

TOLERANCES UNLESS OTHERWISE STATED		CAD GENERATED DRAWING. DO NOT MAKE MANUAL CHANGES			
METRIC: 1.000 = ±0.01 1.00 = ±0.1 1.0 = ±0.2 1 = ±0.4		DIMENSIONS IN MILLIMETRES			
IMPERIAL: Fractional ±1/64" Decimal ± 0.005"		REV.	A		
ANGLES ± 0° 30'		NOTE			
		DRAWN	jcharnley		
		APP.DO.			
		DATE	06-12-19		

FIRST USED ON		 MIDDLETON M24 1XX
ORIGINAL SCALE	1:7	
DRAWN	jcharnley	
APP.ENG.		
DATE	06-12-19	COMPONENT OR DRG.No.
		A3:SHEET 2 OF 2