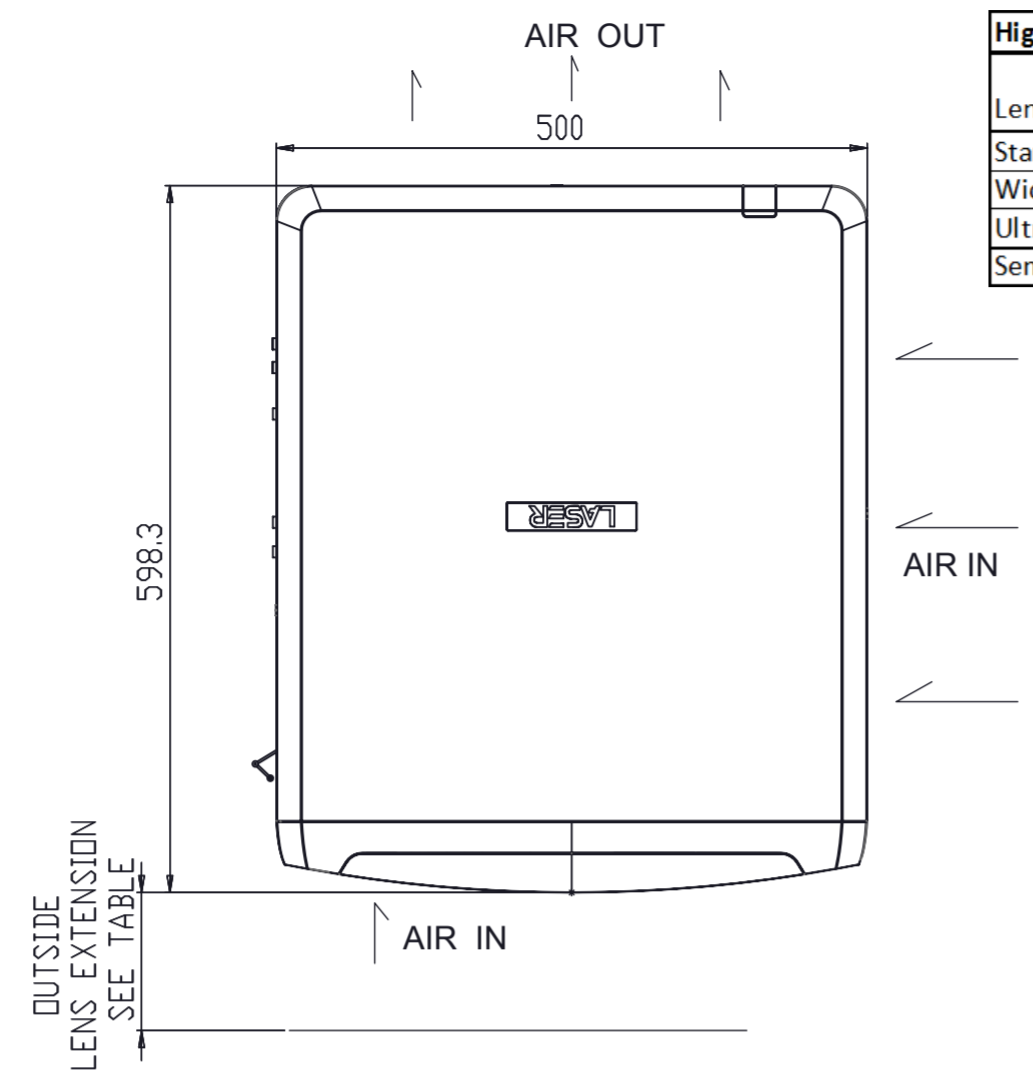


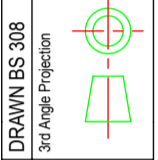
1 2 3 4 5 6 7 8 9

IF IN DOUBT, ASK.

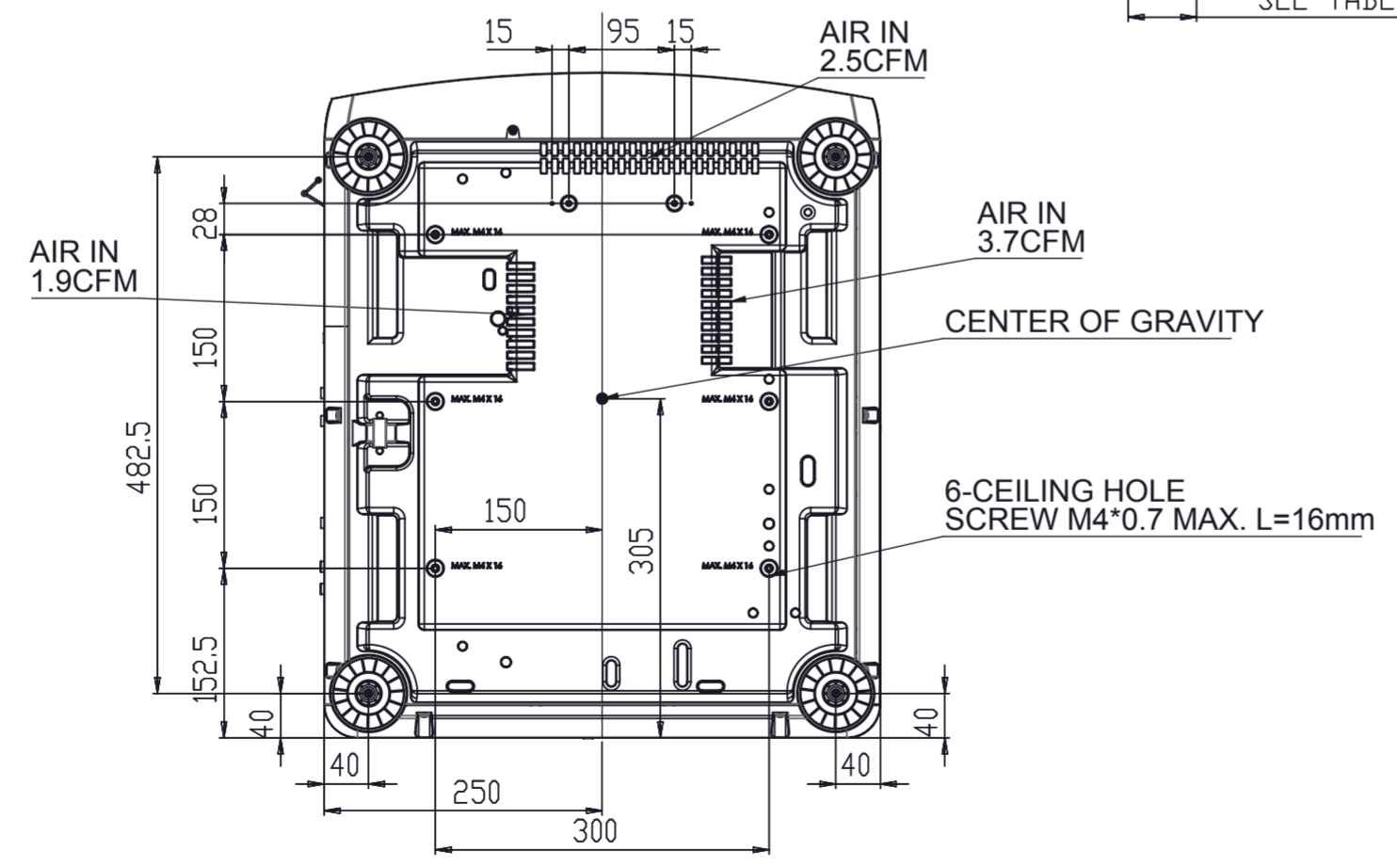
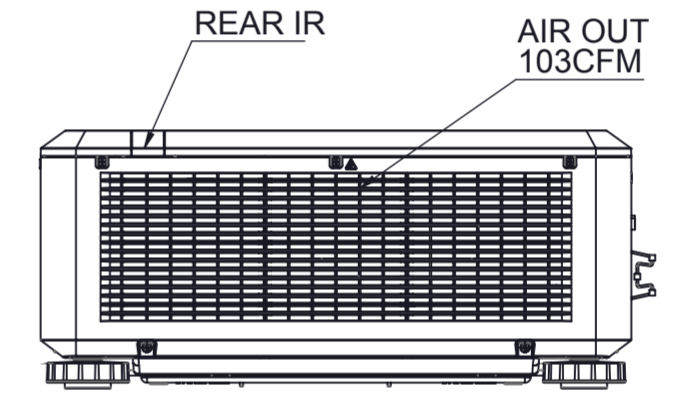
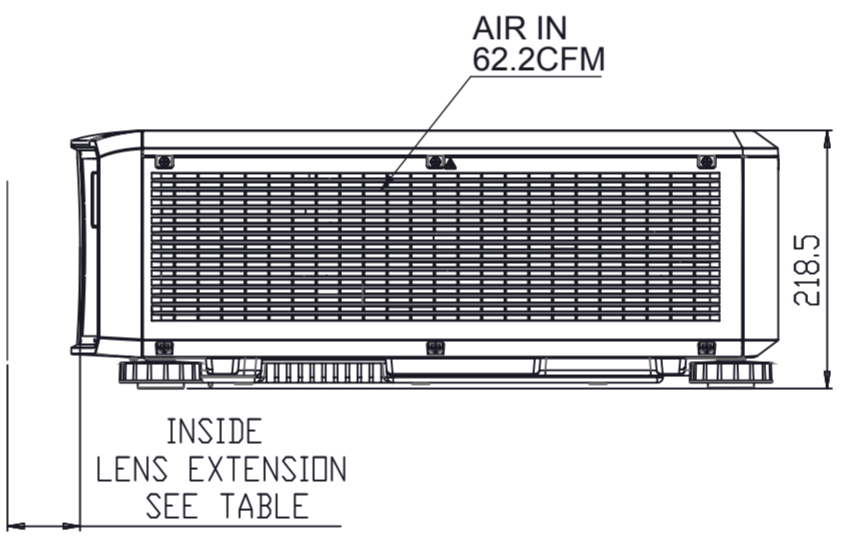
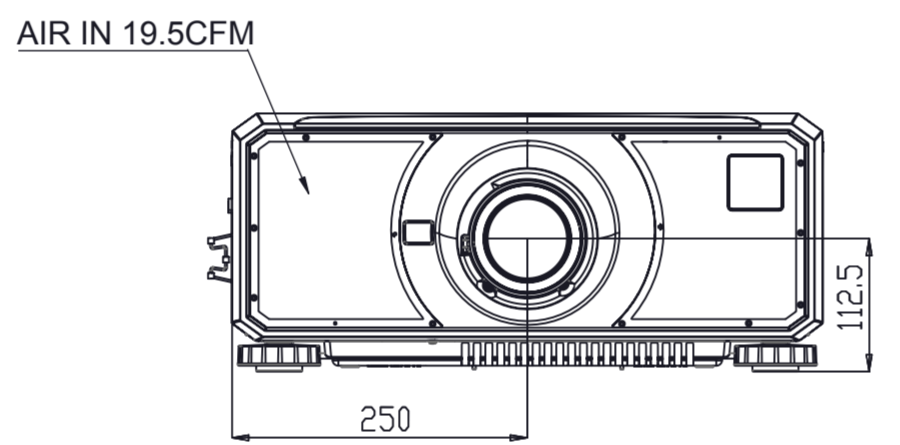
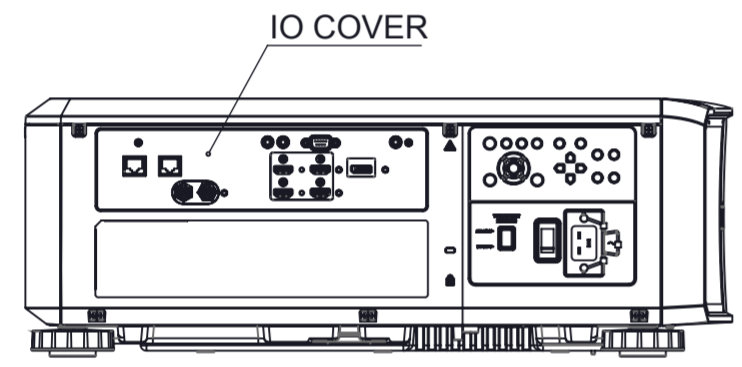


High Contrast Lenses (F# 2.5) for E-Vision Laser WQ120 (BLACK)					
Lens Type	Lens Description	Part No.	Outside Edge Lens Extension	Inside Edge Lens Extension	Remarks
Standard Lens HC	Lens E-Vision 1.71 -2.25:1 Zoom on 4K-UHD	118-562	-7.6mm	-2.6mm	
Wide Zoom Lens HC	Lens E-Vision 1.24 - 1.78:1 Zoom on 4K-UHD	118-563	18.2mm	23.2mm	
Ultra Wide Zoom Lens HC	Lens E-Vision 0.74 - 0.93:1 Zoom on 4K-UHD	118-679	41.1mm	46.1mm	Has manual curvature correction on outer ring
Semi Long Zoom Lens HC	Lens E-Vision 2.2 - 3.67:1 Zoom on 4K-UHD	118-680	11.6mm	16.6mm	

A2 DRG. No.  
 PROPRIETARY INFORMATION  
 This document contains proprietary information which is loaned to you in confidence for a specific purpose. It shall not be reproduced or transferred to other documents for any purpose without the prior written permission of Digital Projection Ltd. It shall be returned immediately upon request.



Distribution Code



119-109 E-VISION LASER WQ120 (BLACK)

7					MATERIAL	CAD GENERATED DRAWING DO NOT MAKE MANUAL CHANGES	TOLERANCES UNLESS OTHERWISE STATED	Unless Otherwise Stated DIMENSIONS IN MILLIMETRES	FIRST USED ON		MIDDLETON M24 1XX
6					CODE	LAST CHANGE	METRIC: 1.000 ±0.01 1.00 ±0.1 1.0 ±0.2 1 ±0.4	REMOVE ALL BURRS & SHARP EDGES. DO NOT SCALE DRAWING THE SURFACE TEXTURE ROUGHNESS NUMBER OF MACHINED SURFACES SHOULD BE EQUAL TO OR LESS THAN 0.8um (N6 CLA32)	ORIGINAL SCALE 1:8		
5					FINISH	DATE OF ISSUE 9-2-18	IMPERIAL Fractional ±1/64" Decimal ± 0.005"	REVISIONS	DRAWN jcharnley	SEE ABOVE	COMPONENT OR DRG.No.
4							ANGLES ± 0° 30'	REV. A	APP.ENG.	SEE ABOVE	SEE ABOVE
3								NOTE	DATE 09-02-18		
2								DATE	09-02-18		
1											
PRE REVS	ITEM	DESCRIPTION	REFER TO	No OFF	REMARKS						A2-SHEET 1 OF 1