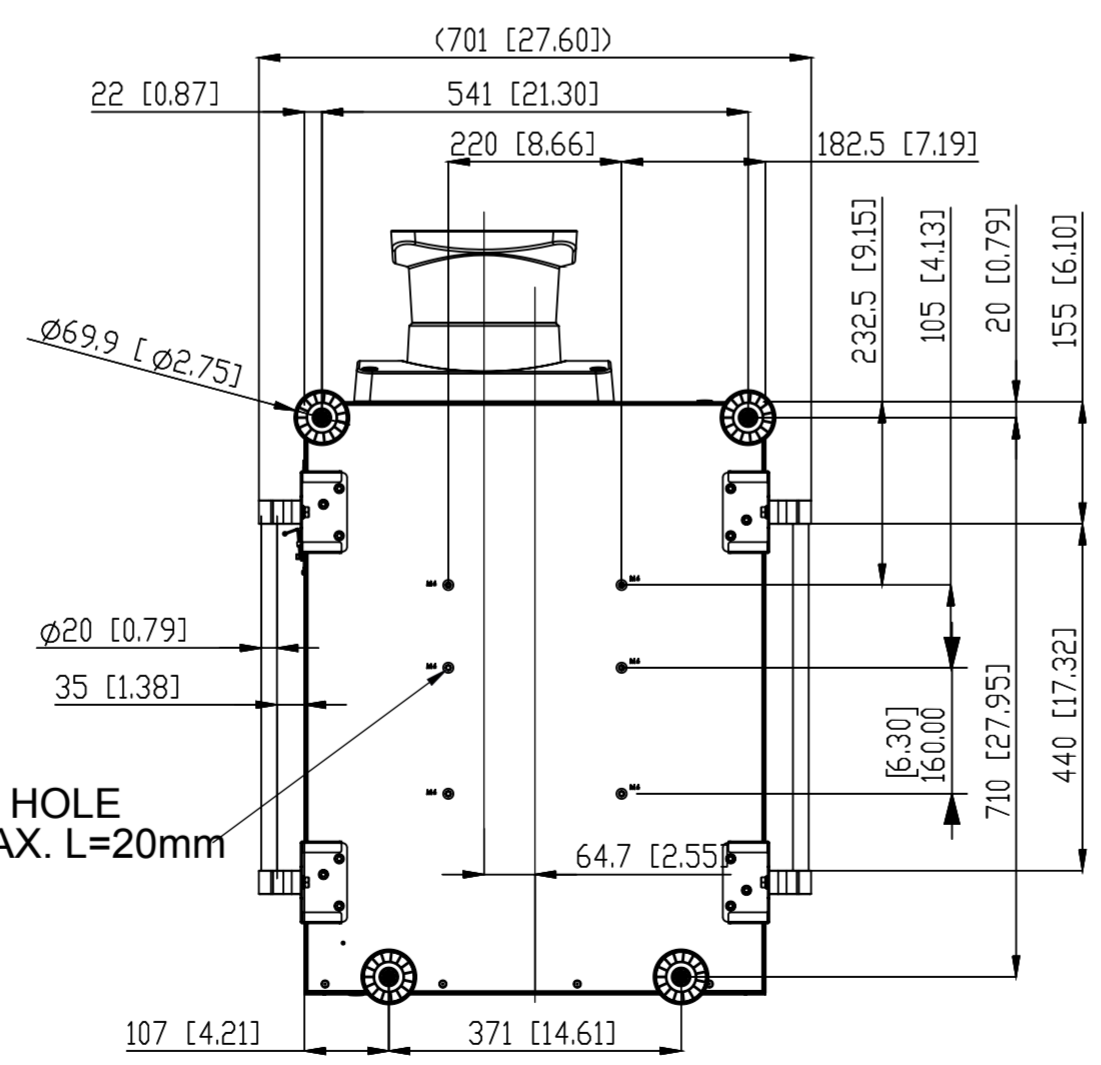
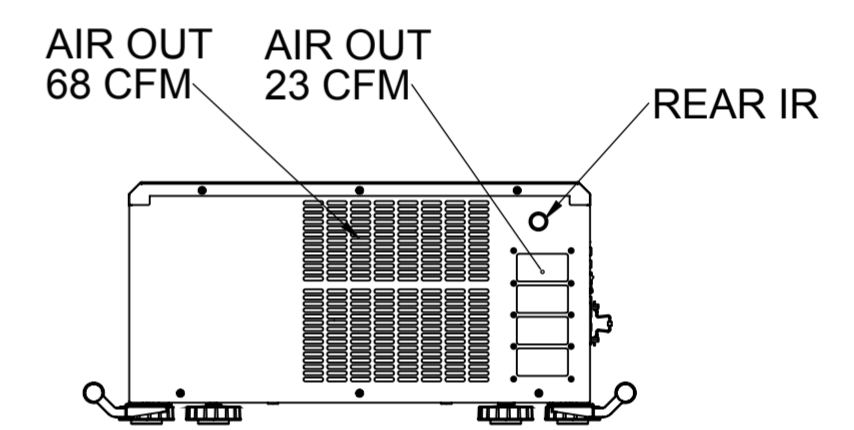
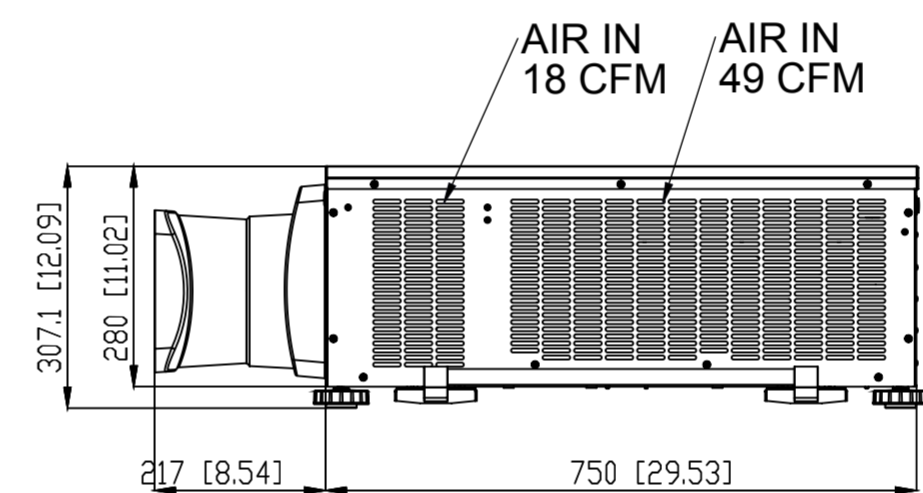
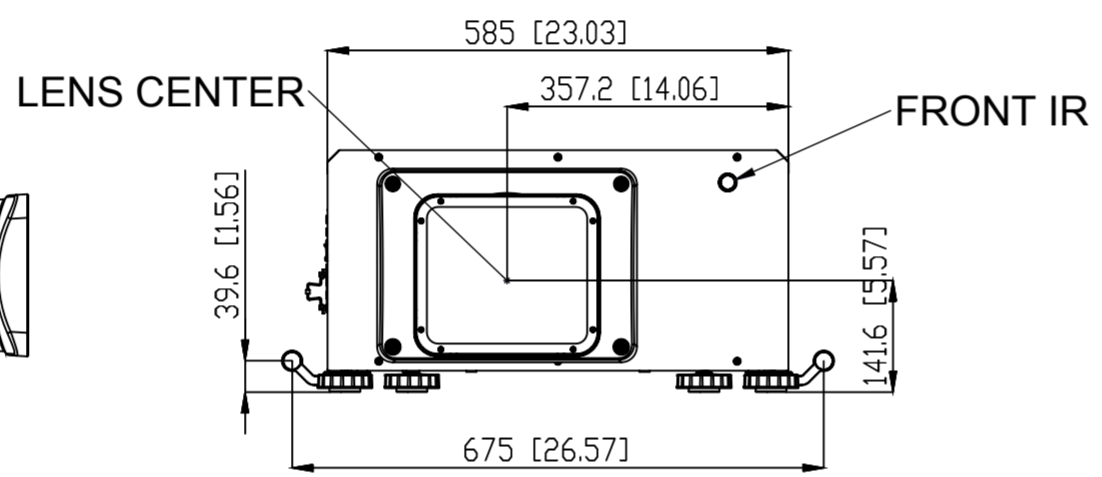
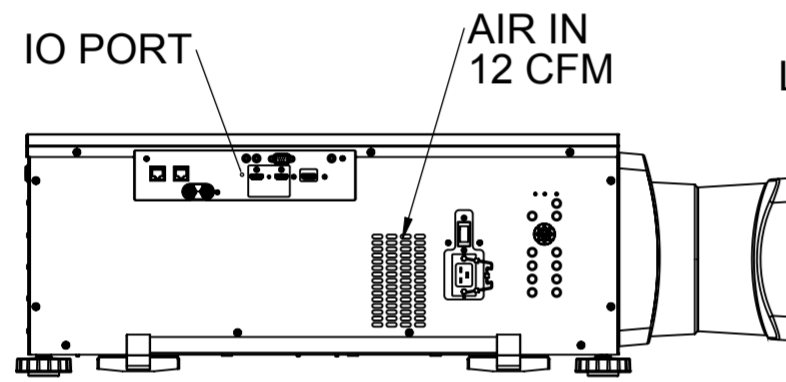
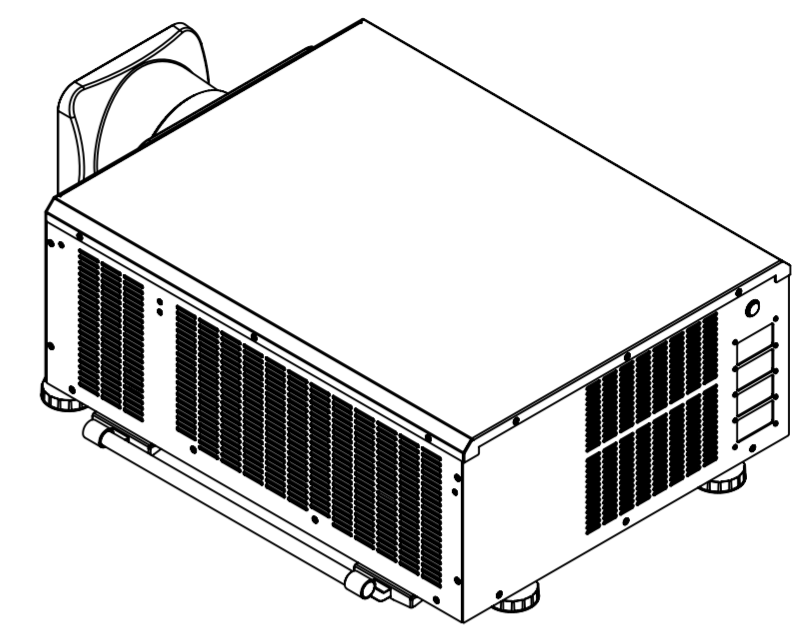
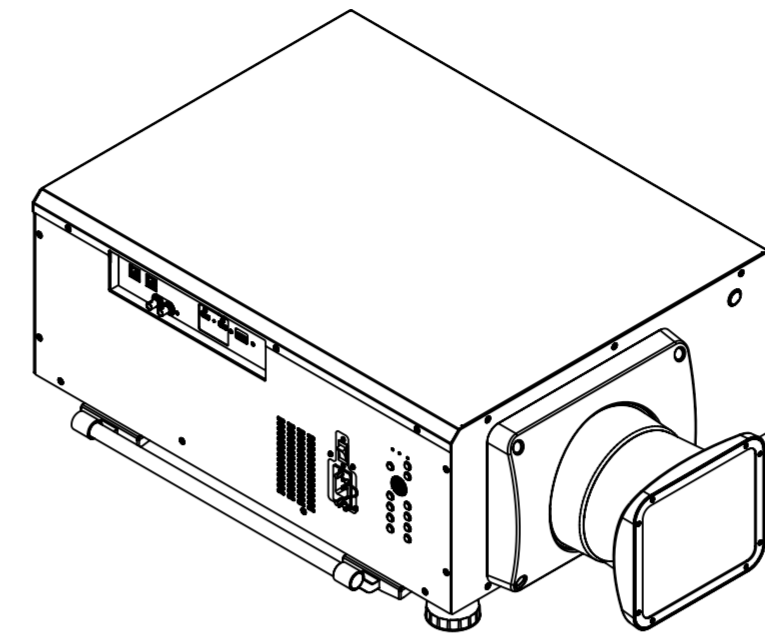
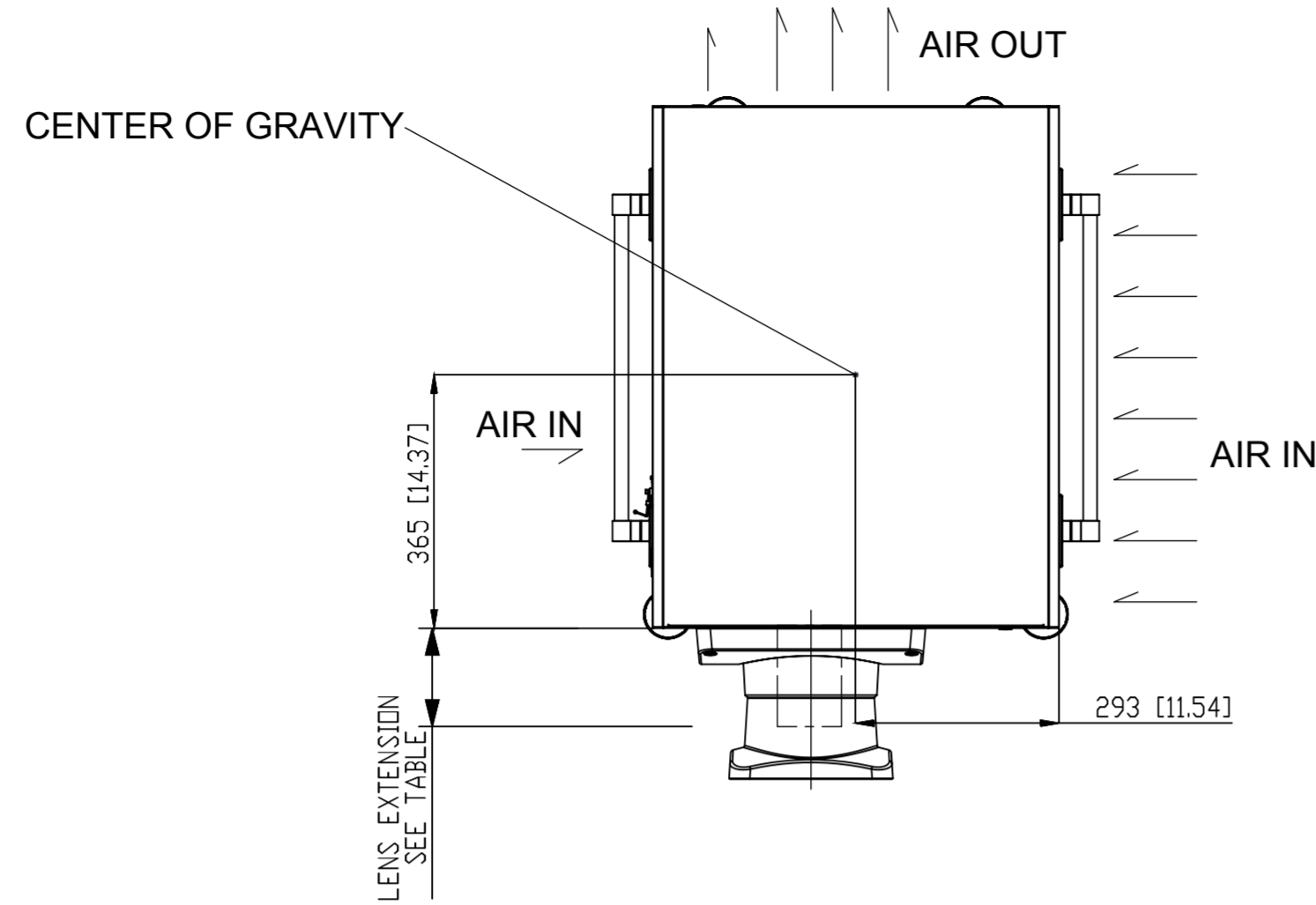


IF IN DOUBT, ASK.



LENS EXTENSION TABLE

PART NO.	THROW RATIO	EXTENSION DIM.
110-808	0.77:1	171.7
110-809	1.16:1	145.1
119-011	0.96~1.43:1	158.3
110-803	1.45~1.74:1	115.9
112-878	1.71~2.17:1	80.8
113-852	2.17~2.90:1	81.4
110-806	2.90~4.34:1	80.8
110-807	4.34~6.76:1	84.8

PART No.	DESCRIPTION
118-081	HIGHLITE LASER 4K 12000

PRE REVS	ITEM	DESCRIPTION	REFER TO	No OFF	REMARKS
7					
6					
5					
4					
3					
2					
A	1				

MATERIAL	CODE	FINISH

CAD GENERATED DRAWING
DO NOT MAKE MANUAL CHANGES

LAST CHANGE

DATE OF ISSUE 13-2-18

TOLERANCES UNLESS OTHERWISE STATED	Unless Otherwise Stated	DIMENSIONS IN MILLIMETRES
METRIC: 1.000 ± 0.01	REMOVE ALL BURRS & SHARP EDGES. DO NOT SCALE DRAWING	FIRST USED ON
1.00 ± 0.1	THE SURFACE TEXTURE ROUGHNESS NUMBER OF MACHINED SURFACES SHOULD BE EQUAL TO OR LESS THAN 0.8um (N6 CLA32)	ORIGINAL SCALE 1:12
1.0 ± 0.2		DRAWN jcharnley
1 ± 0.4		APP.ENG.
IMPERIAL: Fractional ± 1/64"		DATE 06-06-17
Decimal ± 0.005"		
ANGLES ± 0° 30'		

DIGITAL PROJECTION MIDDLETON M24 1XX

SEE ABOVE

SEE ABOVE

COMPONENT OR DRG.No. SEE ABOVE

A2-SHEET 1 OF 1