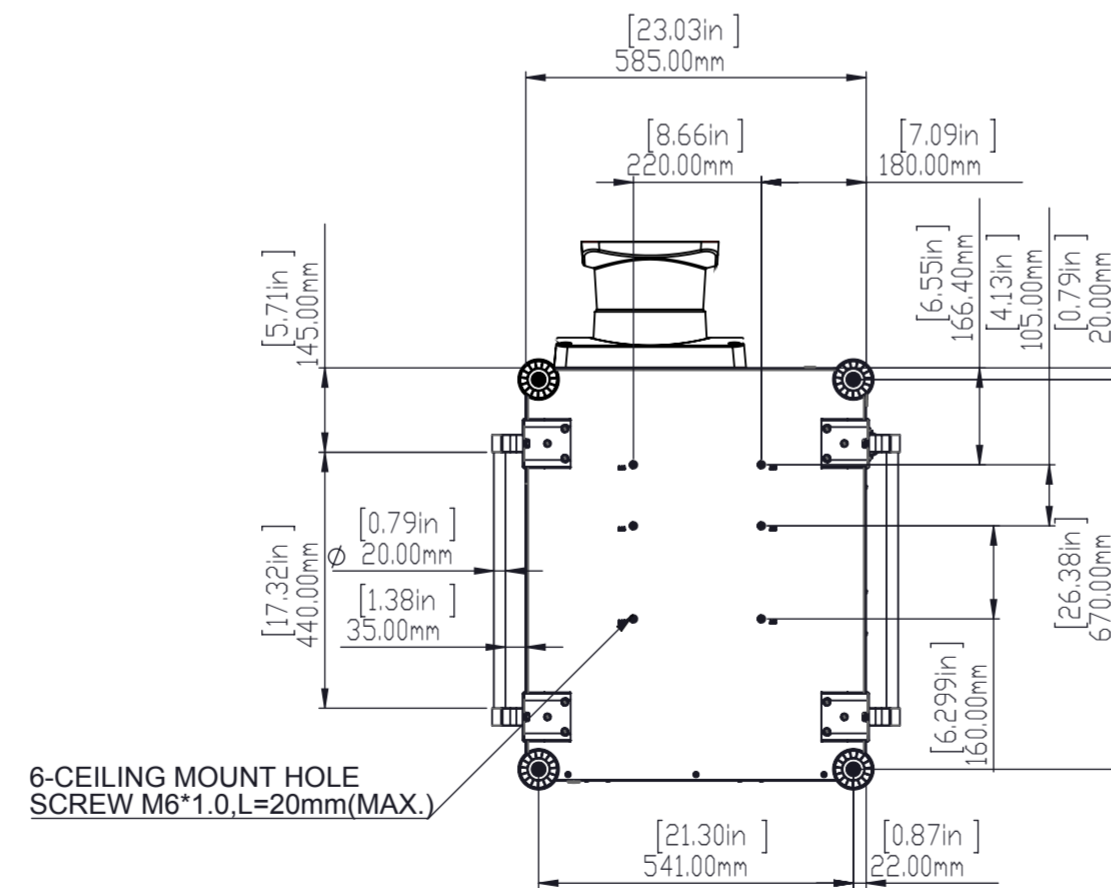
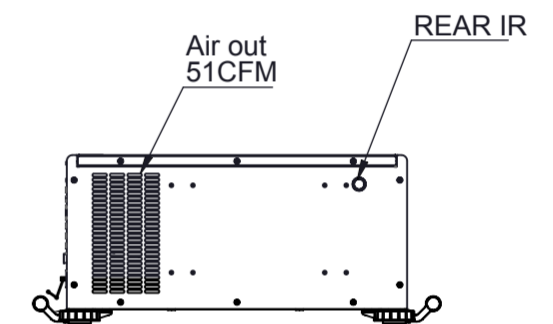
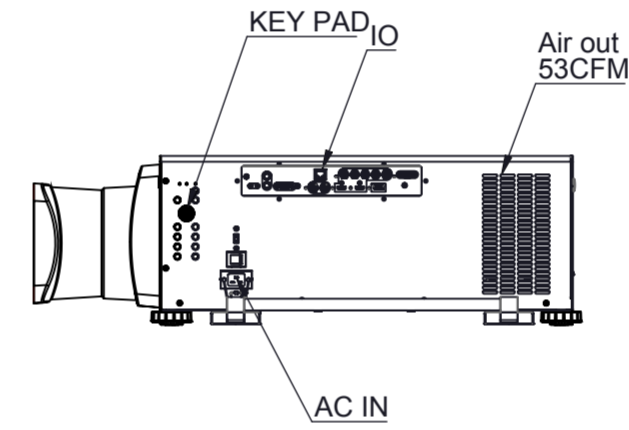
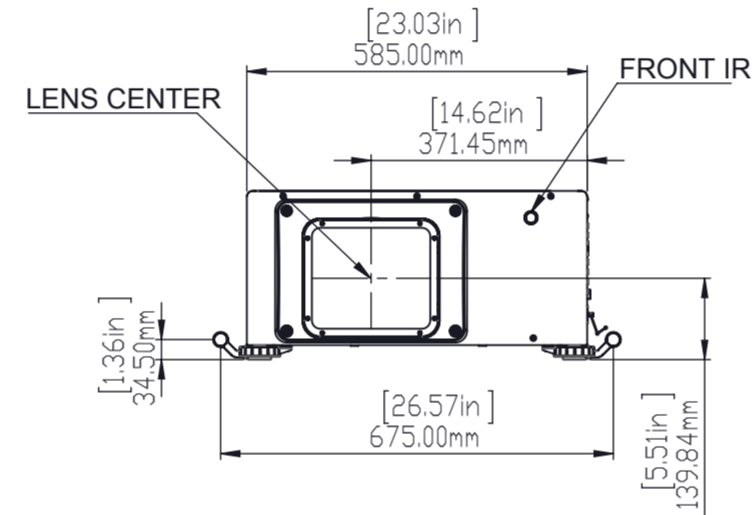
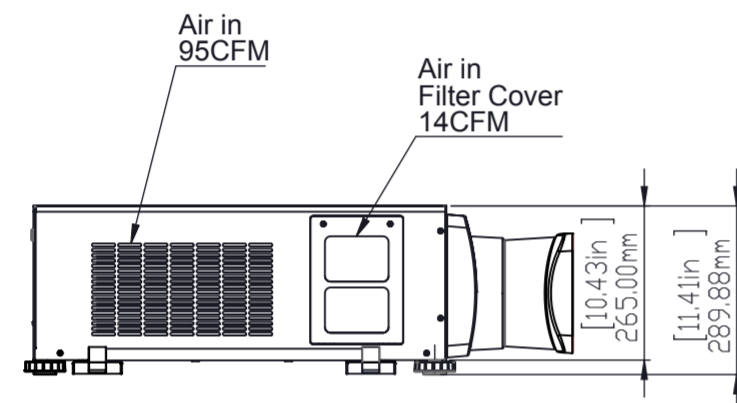
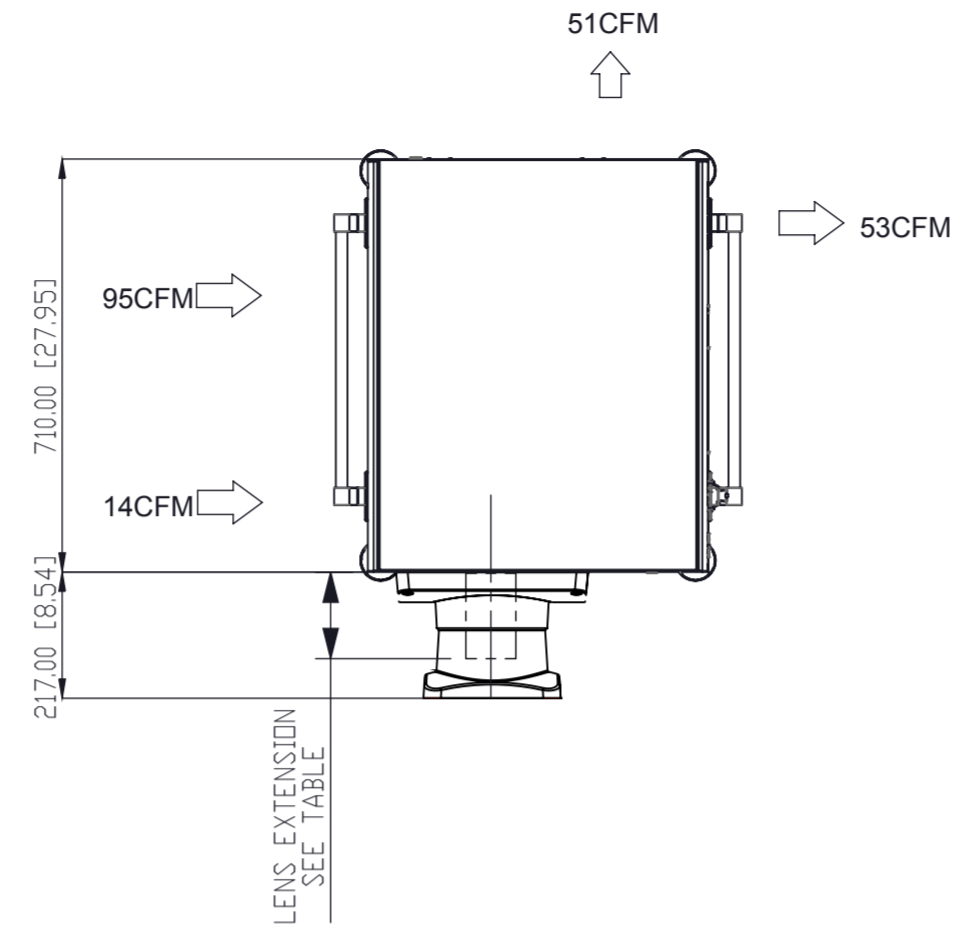


IF IN DOUBT, ASK.



LENS EXTENSION TABLE

PART NO.	THROW RATIO	EXTENSION DIM
110-808	0.77	171.7
110-809	1.16	145.1
119-011	0.96~1.43	158.3
110-803	1.45~1.74	115.9
112-878	1.71~2.17	80.8
113-852	2.16~2.9	81.4
110-806	2.9~4.34	80.8
110-807	4.34~6.76	84.8

PRE REVS	ITEM	DESCRIPTION	REFER TO	REMARKS
	7			
	6			
	5			
	4			
	3			
B	2			
A	1			

MATERIAL	
CODE	
FINISH	

CAD GENERATED DRAWING
DO NOT MAKE MANUAL CHANGES

LAST CHANGE

DATE OF ISSUE 13-2-18

TOLERANCES UNLESS OTHERWISE STATED	Unless Otherwise Stated	DIMENSIONS IN MILLIMETRES
METRIC: 1.000 ±0.01	REMOVE ALL BURRS & SHARP EDGES. DO NOT SCALE DRAWING	FIRST USED ON
1.00 ±0.1	THE SURFACE TEXTURE ROUGHNESS NUMBER OF MACHINED SURFACES SHOULD BE EQUAL TO OR LESS THAN 0.8um (N6 CLA32)	ORIGINAL SCALE 1:13
1.0 ±0.2		DRAWN dsmithies
1 ±0.4		APP.ENG.
IMPERIAL: Fractional ±1/64"	REV. B	DATE 19-01-16
Decimal ± 0.005"	NOTE jcharley	
ANGLES ± 0° 30'	APP.DO.	
	DATE 07-11-17	

DIGITAL PROJECTION MIDDLETON M24 1XX

TITLE: PROJECTOR, HIGHLITE LASER II, 3D

COMPONENT OR DRG.No. 116-330

A2-SHEET 1 OF 1