

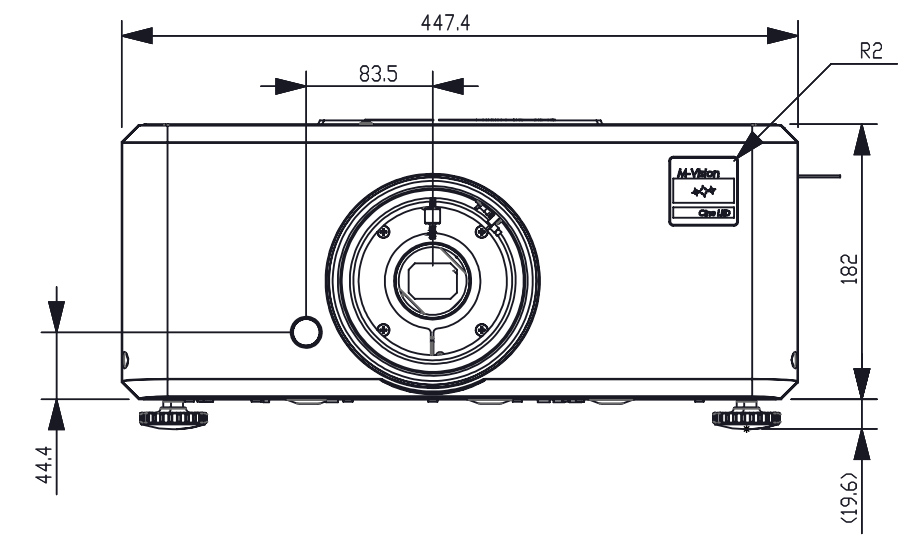
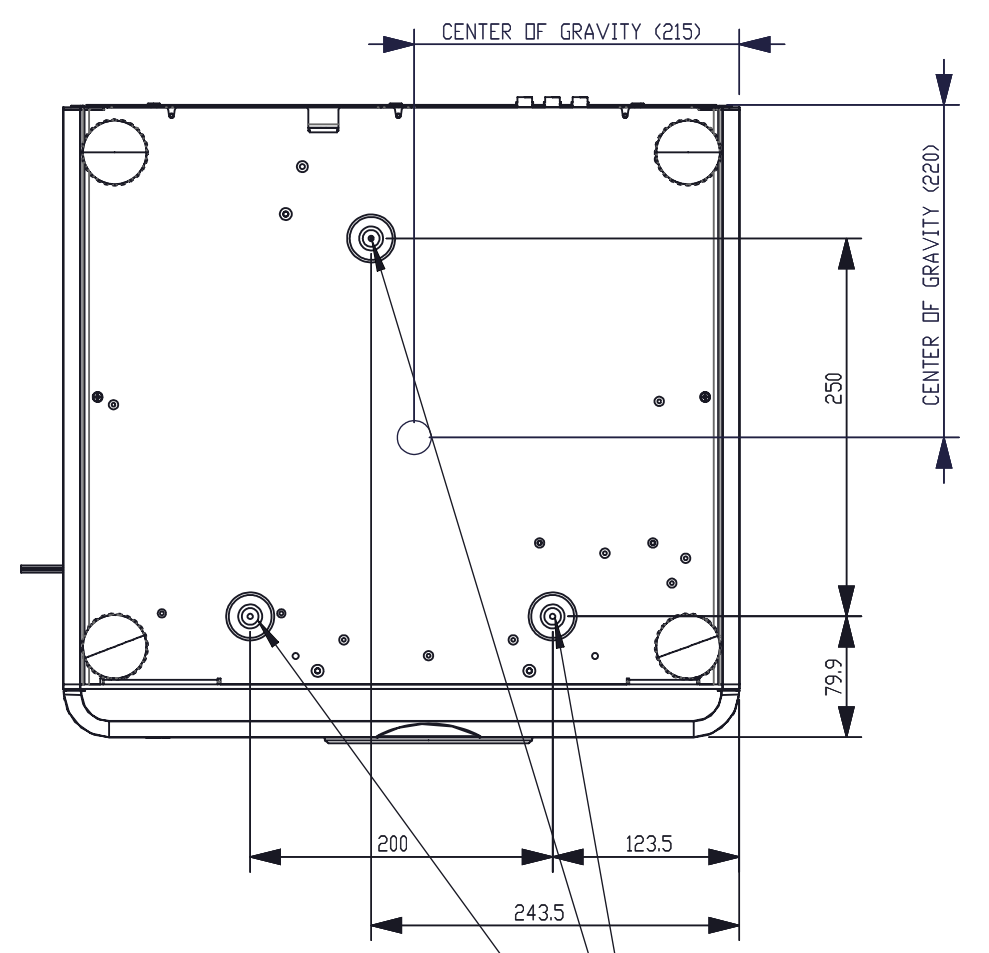
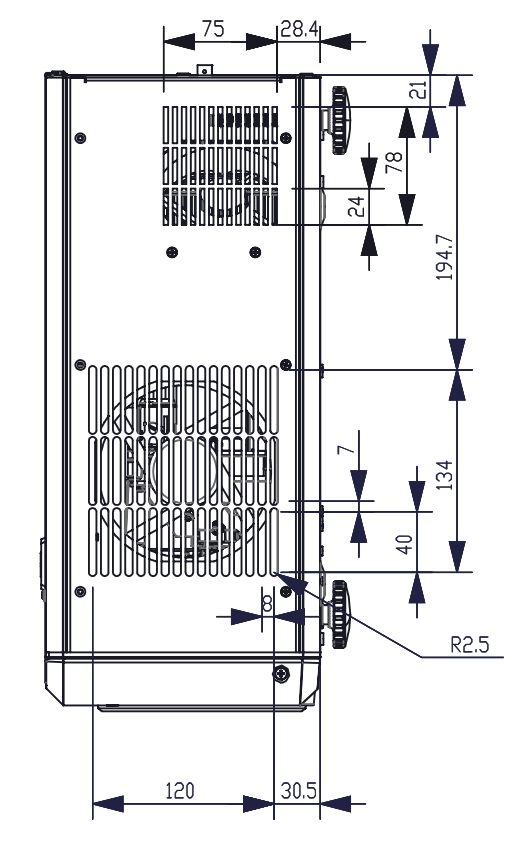
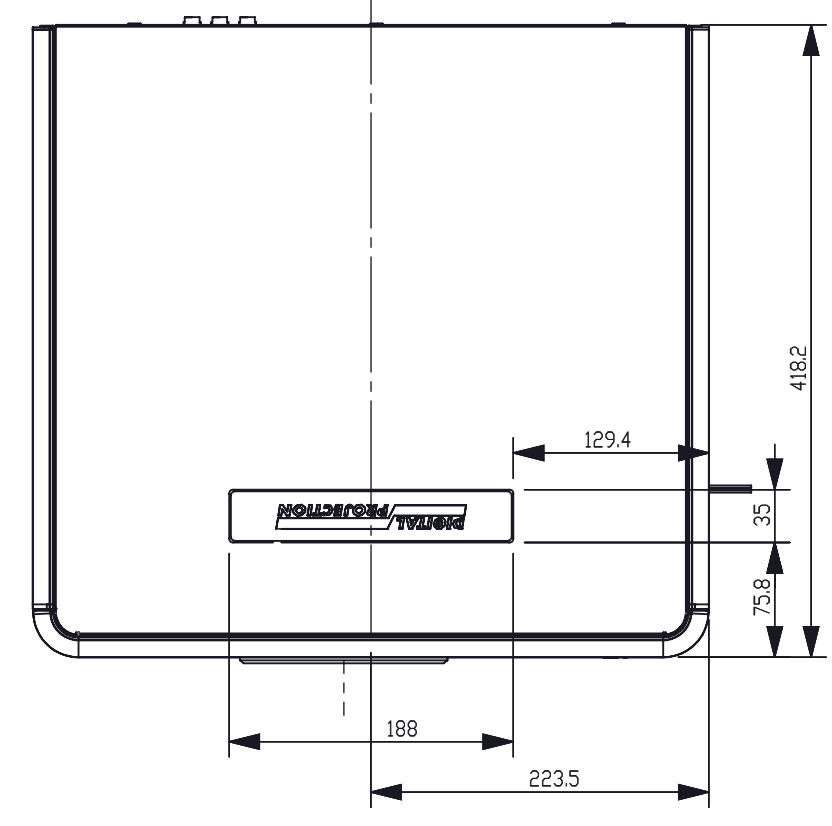
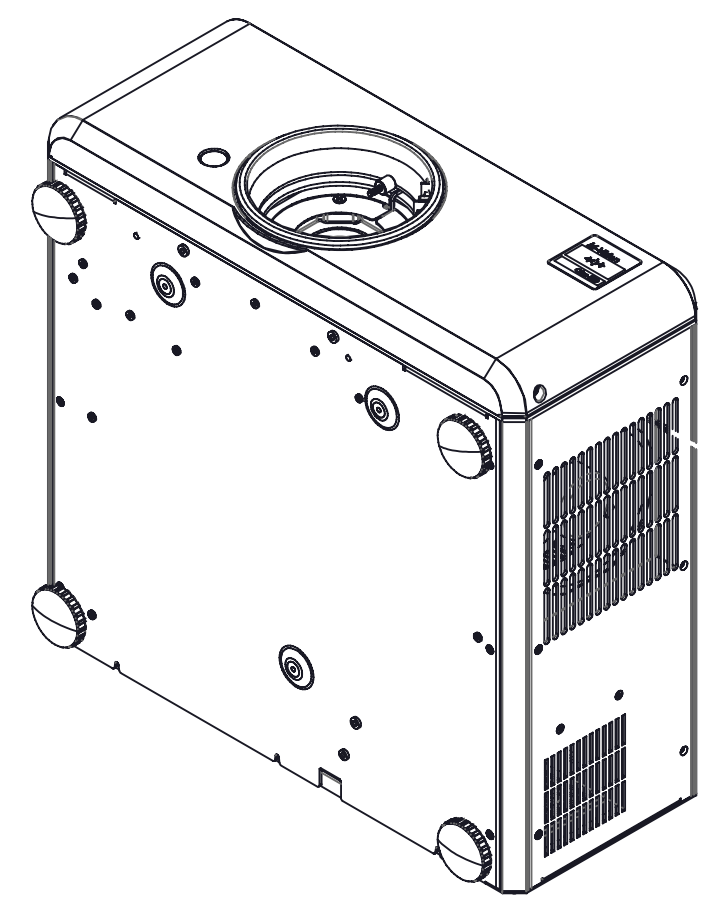
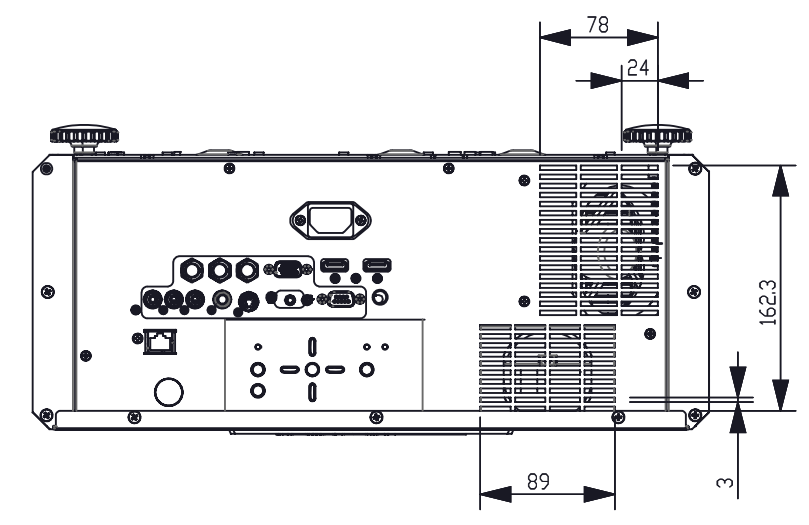
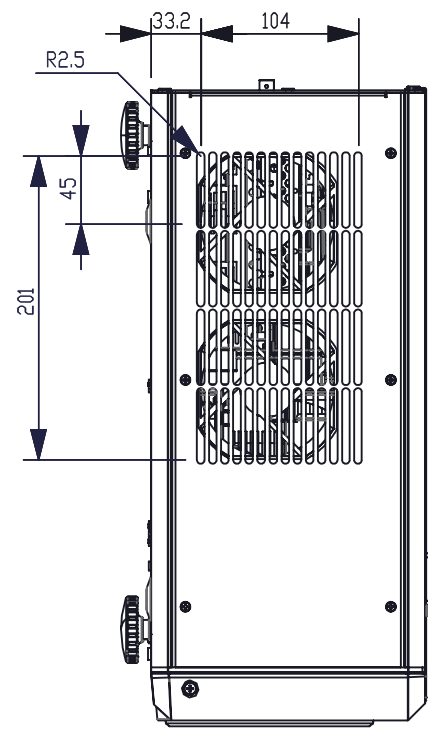
IF IN DOUBT, ASK.

A2 DRG. No.

PROPRIETARY INFORMATION
This document contains proprietary information which is loaned to you in confidence for a specific purpose. It shall not be reproduced or transferred to other documents or other purpose without the prior written permission of Digital Projection Ltd. It shall be returned immediately upon request.

DRAWN BS 308
3rd Angle Projection

Distribution Code



3-CEILING MOUNT HOLE
USE M4 SCREW L=15mm(MAX.)

110-001	PROJECTOR, M-VISION CINE LED w 0.73:1 LENS
110-002	PROJECTOR, M-VISION CINE LED w 1.56-1.86:1 LENS
110-003	PROJECTOR, M-VISION CINE LED w 1.85-2.40:1 LENS
110-013	PROJECTOR, M-VISION CINE WUXGA LED w 0.73:1 LENS
110-014	PROJECTOR, M-VISION CINE WUXGA LED w 1.56-1.86:1 LENS
110-015	PROJECTOR, M-VISION CINE WUXGA LED w 1.85-2.40:1 LENS

PRE REVS	ITEM	DESCRIPTION	REFER TO	No OFF	REMARKS

MATERIAL	CAD GENERATED DRAWING DO NOT MAKE MANUAL CHANGES
CODE	LAST CHANGE
FINISH	

TOLERANCES UNLESS OTHERWISE STATED	Unless Otherwise Stated	DIMENSIONS IN MILLIMETRES
METRIC: 1.000 ±0.01	REMOVE ALL BURRS & SHARP EDGES. DO NOT SCALE DRAWING	FIRST USED ON
1.00 ±0.1	THE SURFACE TEXTURE ROUGHNESS NUMBER OF MACHINED SURFACES SHOULD BE EQUAL TO OR LESS THAN 0.8um (N6 CLA32)	ORIGINAL SCALE 1:1
1.0 ±0.2		DRAWN
1 ±0.4		APP.ENG.
IMPERIAL Fractional ±1/64"		DATE
Decimal ± 0.005"		
ANGLES ± 0' 30"		

REV.									
NOTE									
DRAWN	J.C								
APP.DO.									
DATE	20-12-11								

		MIDDLETON M24 1XX
SEE ABOVE		COMPONENT OR DRG.No. SEE ABOVE
A2-SHEET		1 OF 1