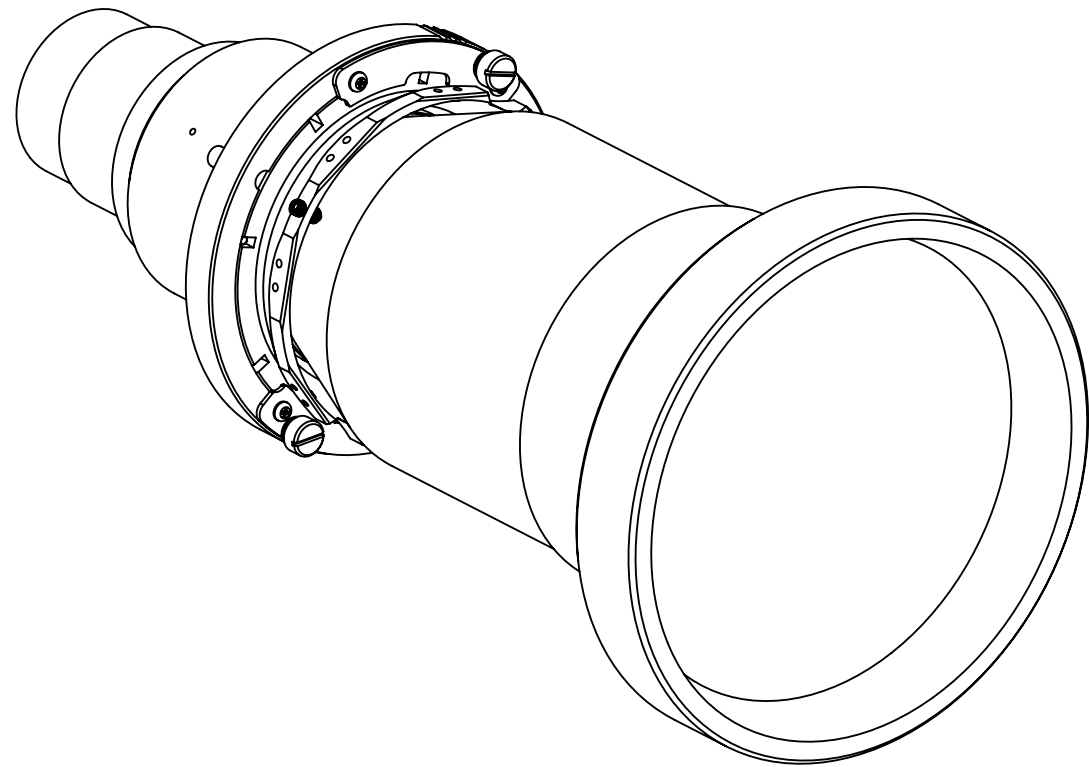


# 0.72:1 SCHNEIDER LENS

compatible with INSIGHT 4K projectors

▶ **ASSEMBLY GUIDE**



**CONTENTS**

**Overview** ..... 1

    Symbols used in this manual..... 1

    Product revision..... 1

    Legal notices ..... 1

**Specifications** ..... 2

    Product compatibility..... 2

**Instructions** ..... 3

    Tools required..... 3

    Procedure..... 3

## Overview

Follow the instructions in this manual carefully to ensure safe and long-lasting use of the projector.

## Symbols used in this manual

Many pages in this document have a dedicated area for notes. The information in that area is accompanied by the following symbols:



**WARNING:** this symbol indicates that there is a danger of physical injury to yourself and/or damage to the equipment unless the instructions are closely followed.



**NOTE:** this symbol indicates that there is some important information that you should read.

## Product revision

Because we at Digital Projection continually strive to improve our products, we may change specifications and designs, and add new features without prior notice.

## Legal notices

The software is provided as is. No warranty is implied. Digital Projection Ltd accepts no liability for loss or damage incurred as a result of its use.

Trademarks and trade names mentioned in this document remain the property of their respective owners. Digital Projection disclaims any proprietary interest in trademarks and trade names other than its own.

Copyright © 2017 Digital Projection Ltd. All rights reserved.

**Notes**

## **Specifications**

*LENS ADAPTER PART NUMBER 117-343*

### **Product compatibility**

The 0.72:1 Schneider lens is designed for use with all INSIGHT 4K projectors.

**Notes**

## Instructions

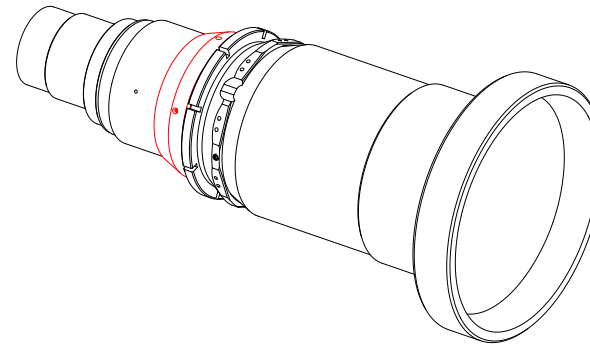
### Tools required

- Hex driver, 1/8"
- Pozī™ driver size 2

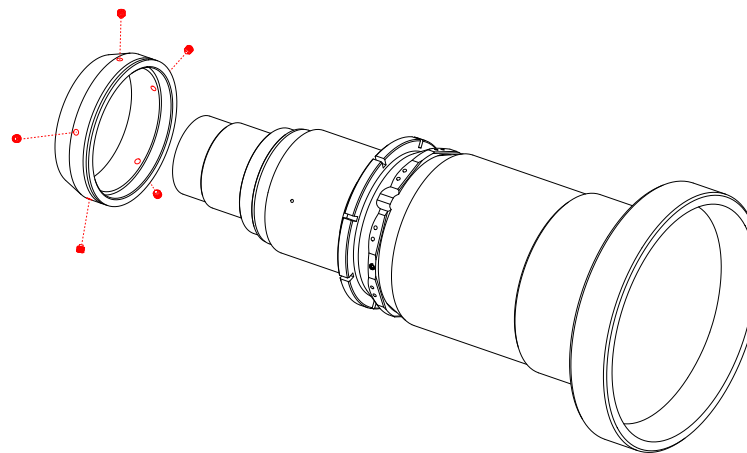
### Procedure

1. (optional step) The lens may arrive with a Barco projector **adapter ring already fitted (Fig. 1)**.

Use the 1/8" hex driver to remove **the five 1/4-20 nylon tip set screws**. Once the screws have been removed, slide the adapter ring off the back of the lens (**Fig. 2**).



**Fig. 1: Schneider lens with Barco adapter fitted**



**Fig. 2: Screws removed, adapter out**

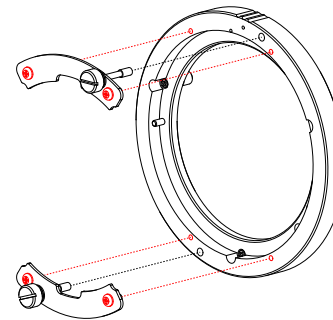
### Notes



Follow the instructions carefully. Correct assembly will prevent the back of the lens colliding with sensitive optical components in the projector.

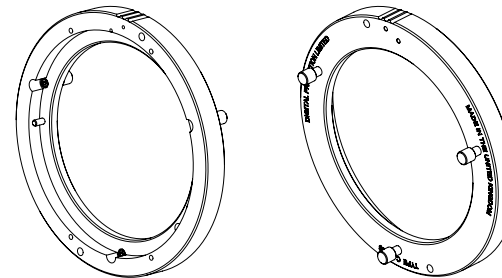
(Continued from previous page)

- Use the Pozi™ driver to remove the **crescent shaped clamps** from the Digital Projection adapter ring (**Fig. 3**).



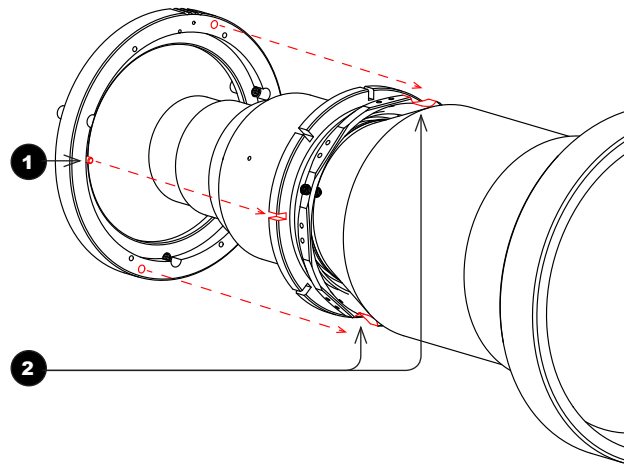
**Fig. 3: Clamps removed**

- Slip the adapter ring along the back of the lens, **clamp face** forward (**Fig. 4, left**).

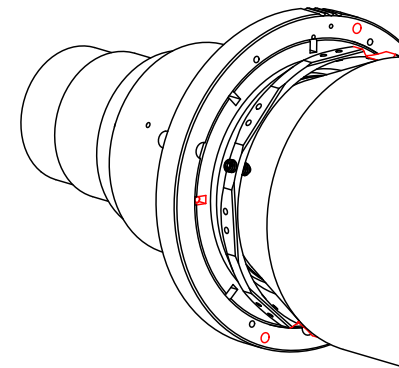


**Fig. 4: Adapter ring - clamp face (left) and datum face (right)**

Slide the ring until it wraps around the castellated ring on the lens (**Fig. 5, Fig. 6**). The **dowel** in the adapter ring **1** should drop into the castellation that best ensures access to the thumb screws via the **clearance cuts** **2**.



**Fig. 5: Adapter ring aligned with the lens**



**Fig. 6: Adapter ring in place**

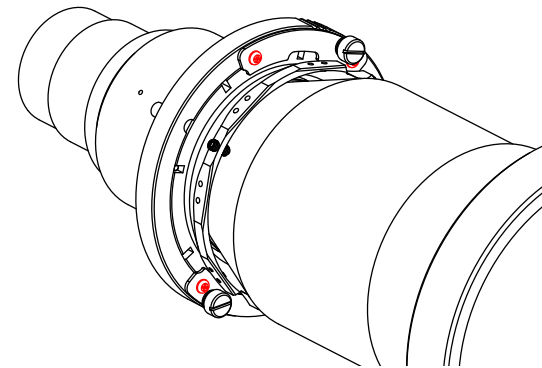
**Notes**



**Follow the instructions carefully. Correct assembly will prevent the back of the lens from colliding with sensitive optical components in the projector.**

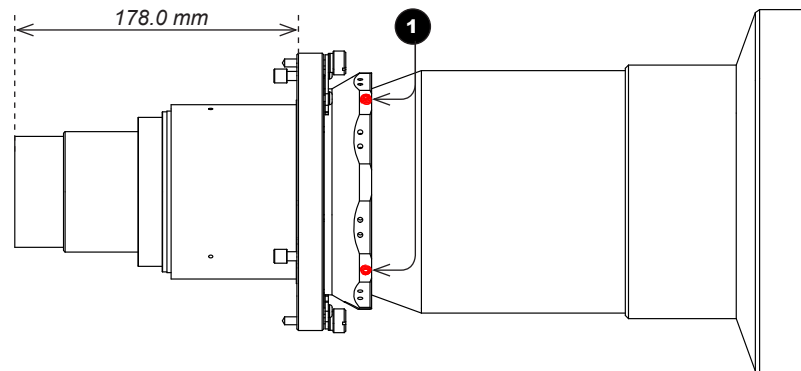
(Continued from previous page)

4. Use the Pozi™ driver to replace and secure the crescent shaped clamps on the adapter ring. **(Fig. 7)**



**Fig. 7: Clamps replaced and secured**

5. Once the adapter ring is securely attached to the lens, loosen the three **focus set screws** ① **(Fig. 8)**. Rotate the adapter ring to **set a distance of 178.0 mm** from the datum face to the back of the lens.

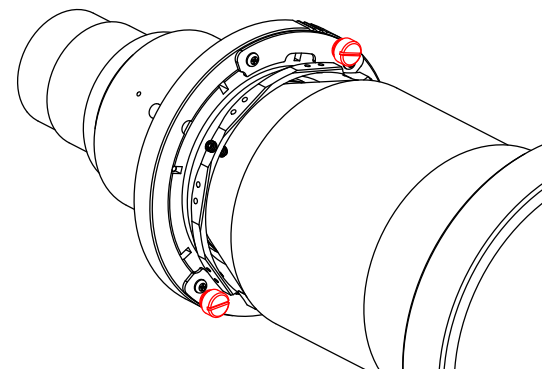


**Fig. 8: Prescribed distance, position of focus set screws**

6. When the distance of 178.0 mm is reached, re-tighten the focus set screws.


7. Measure the distance again from the datum face of the adapter ring to the back of the lens to ensure it does not exceed 178.0 mm. The lens is now ready to be used with the projector.


Once the lens is inserted into the lens mount, use the **thumb screws (Fig. 9)** to hold the lens into position.





**Fig. 9: Thumb screws**

#### Notes

 Follow the instructions carefully. Correct assembly will prevent the back of the lens from colliding with sensitive optical components in the projector.

 Two focus set screws are visible on Fig. 8. The third screw is on the other side.

 Do not exceed the prescribed distance of 178.0 mm.

 Check the projector's **Installation and Quick-Start Guide** for lens fitting instructions.



---

**Digital Projection Limited**

Greenside Way, Middleton  
Manchester M24 1XX, UK

*Registered in England No. 2207264  
Registered Office: as above*

Tel (+44) 161 947 3300  
Fax (+44) 161 684 7674

enquiries@digitalprojection.co.uk  
service@digitalprojection.co.uk

www.digitalprojection.co.uk

**Digital Projection Inc.**

55 Chastain Road, Suite 115  
Kennesaw, GA 30144, USA

Tel (+1) 770 420 1350  
Fax (+1) 770 420 1360

powerinfo@digitalprojection.com  
www.digitalprojection.com

**Digital Projection China**

中国 北京市 朝阳区 芍药居北里101号  
世奥国际中心A座2006室(100029)

Rm A2006  
ShaoYaoJu 101 North Lane  
Shi Ao International Center  
Chaoyang District  
Beijing 100029, PR CHINA

Tel (+86) 10 84888566  
Fax (+86) 10 84888566-805

techsupport@dp-china.com.cn  
www.dp-china.com.cn

**Contact Information:****Digital Projection Asia**

16 New Industrial Road  
#02-10 Hudson Technocentre  
Singapore 536204

Tel (+65) 6284-1138  
Fax (+65) 6284-1238

www.digitalprojectionasia.com