

**DIGITAL**  **PROJECTION**  
Precision Displays for Every Venue

an introduction to the  
WQXGA projector

.....  
WQXGA user's  
.....  
guide  
.....  
.....  
.....  
.....



This page intentionally left blank.

# Contents of this User's Guide

1	Introduction	6
1.1	Thank you	
1.2	Features	
2	SAFETY	7
2.1	SAFETY	
2.2	WARNING	
2.3	WEEE INFORMATION	
2.4	WARNING	
2.5	REMOTE CONTROL WARNING	
2.6	WARNING ABOUT SUBSTANCES	
3	What's in the box?	10
4	Getting to know the projector	12
4.1	Overview	
4.2	Indicators	
4.2.1	The lamp indicators	
4.2.1	The status indicator	
4.2.1	Keypad	
4.2.1	Remote control	
4.2.1	Connectivity	
4.2.1	Graphical User Interface (GUI)	
5	Basic setup	17
5.1	Lens	
5.1.1	Lens and lens mount	
5.1.2	Inserting a lens	
5.1.3	Replacing a lens	
5.2	Adjusting on screen image size and position	
5.3	Lamp operation	
5.4	Ceiling mount	
5.4.1	Ceiling mount cover	
5.4.2	Attaching the ceiling cover	
5.5	Connecting and cables	
5.5.1	Setting up a video source	
5.5.2	Setting up a computer source	
5.5.3	Connecting command and control interfaces	

5.6	Image alignment	
5.7	Setting image orientation	
5.8	Using source scan	
5.9	Limiting OSD messages	
5.10	Using the dual lamp system	
5.11	Changing the language of the menu system	
5.12	Identifying system status	
5.12.1	Getting information about the active source	
6	Advanced setup	25
6.1	Controlling multiple projectors with remote control ID (RCID)	
6.2	Protecting the projector with a pin code	
6.3	Using dual head input	
6.4	Setting custom color space and digital level	
6.5	Disabling IR receivers	
6.6	Controlling screens with triggers	
6.7	Setting aspect trigger behavior	
6.8	Automatic power on/off	
6.8.1	Using the timer	
6.8.2	Using DPMS (Display Power Management Signaling)	
6.9	Disabling LED indicators	
6.10	Setting the background color	
6.11	Setting OSD menu timeout	
6.12	Selecting the startup logo	
6.13	Disabling LED indicators	
6.14	Setting the background color	
6.15	Setting OSD menu timeout	
6.16	Selecting the startup logo	
7	Optimising the picture	30
7.1	Calibration data	
7.1.1	Updating RealColor™ calibration data	
7.2	Working with RealColor™	
7.2.1	Setting the BrilliantColor™ correctly	
7.2.2	Gamma	
7.2.3	RealColor™ operating modes	
7.2.4	Setting a white point or color temperature	
7.2.5	Defining the system color gamut	

8	Technical specifications	36
8.1	Product details	
8.2	Ceiling mount	
9	Maintenance	39
9.1	Software upgrades	
9.2	Lamp replacement	

This page intentionally left blank.

# 1 Introduction

---

## 1.1 Thank you

Thank you for purchasing a WQXGA projector.

The WQXGA resolution projector sets an industry benchmark for projectors in its size and performance category. Featuring high resolution DLP® technology, high performance optics and lenses, updated signal processing and built-in frame-lock synchronisation makes the WQXGA the ideal projector for multi-channel visualisation and simulation applications, where realism and reliability are key criteria.

## 1.2 Features

- WQXGA (2560 x 1600) resolution single chip DLP® technology
- Patented Dual Architecture or LED illumination system and optics
- RealColor advanced colour management suite
- Fail safe, hot swap Dual Lamp architecture / or longlife LED illumination
- Dual optomechanical IRIS for customizable brightness and contrast
- Full powered horizontal and vertical lens shift, allows direct stacking
- Full 12-bit colour resolution for minimised artefacting and high accuracy
- BrilliantColor™ technology with six-colour processing for accurate colours
- Elevated contrast levels for unmatched image dynamics
- High brightness for large screen applications
- Range of application specific colour wheel options
- Wide range of projection lenses
- Highly versatile colour management and calibration options
- Built-in real time clock for timed operations
- Sigma Designs™ technology video de-interlacing and processing
- Economy mode for reduced power consumption and prolonged lamp life
- Small and ergonomic footprint, with low weight
- Direct view status monitor and lamp function indicators
- Multiple video and graphics inputs for virtually any video and data source
- Dual Link DVI (330 MHz)
- HDMI ver. 1.3a
- LAN, RS232 and USB ports for control and monitoring

This page intentionally left blank.



# 1 SAFETY

---

This device complies with safety regulations for Information Technology Equipment intended to operate in “normal” environments (offices and homes). Before using the device for the first time, please read the safety instructions thoroughly.

## 1.1 SAFETY

This user guide contains important information about safety precautions and the set-up and use of the projector. Please read the manual carefully before you operate the projector.

This device complies with relevant safety regulations for data processing equipment for use in an office environment. Before using the projector for the first time, please read the safety instructions thoroughly.

## 1.2 WARNING

Use only the cables and cords supplied with the projector or original replacement cables. Using other cables or cords may lead to malfunction and permanent damage of the unit.

Always use 3-prong / grounded power cord to ensure proper grounding of the unit. Never use 2-prong power cords, as this is dangerous and could lead to electrical shock.

Never open the unit. The projector contains no user serviceable parts. Refer all repairs to qualified personnel only. Make sure that no objects enter into the vents and openings of the set.

Do not spill any liquids on the projector or into the vents or openings of the unit.

Always remove lens cap before switching on the projector. If the lens cap is not removed, it may melt due to the high energy light emitted through the lens. Melting the lens cap may permanently damage the surface of the projection lens.

Do not look into the projection lens when the projector is switched on. The strong light may permanently damage sight. Do not look into the laser beam when activated on the remote control. Laser light may permanently damage sight.

Do not point laser beam on people.

Only place the projector on a stable surface, or mount it securely using an approved ceiling-mount.

Do not drop the projector.

Always operate the projector according to the rotation guidelines found on the web. Operating the unit in other positions may reduce lamp life significantly, and may lead to overheating, resulting in malfunctioning.

Always allow ample airflow through the projector. Never block any of the air vents. Never cover the unit in any way while running. Allow for sufficient distance to walls and ceilings to avoid overheating.

Minimum safety distance to any side of the unit is 50 cm / 20” in any direction.

**CAUTION!** Hot air is exhausted from the rear vent. Do not place objects that are sensitive to heat nearer than 50cm / 20” to the exhaust vent.

The projector is designed for indoor use only. Never operate the unit outdoors.

**CAUTION!** Connecting sources to a powered projector may result in product failure. It is recommended that the power cable connector (projector-end) or the mains power socket are accessible whilst the product is in use to enable mains power to be disconnected or switched off when connecting source devices. This should be considered during product installation.

Do not operate the projector outside its temperature and humidity specifications, as this may result in overheating and malfunctioning.

Only connect the projector to signal sources and voltages as described in the technical specification. Connecting to unspecified signal sources or voltages may lead to malfunction and permanent damage of the unit.

Allow lamp to cool down before changing. One lamp may be changed while the other lamp is operating (hot-swap).

### **INFORMATION AND WARNING ABOUT POTENTIAL HEALTH ISSUES RELATED TO MERCURY VAPOR. This section only applies to projectors with UHP lamps.**

This projector uses a very powerful UHP™ lamp for illumination to produce an extremely bright image.

This technology is similar to other high-pressure discharge lamps that are extensively used in cars, street lights and other lighting appliances today. These lamps, like fluorescent lighting, contain small amounts of mercury. The amount of mercury present in a lamp is far below the limits of danger set by the authorities. It is very important that lamps containing mercury are treated properly to minimize potential health hazards.

The UHP™ lamp, like any other high brightness projector lamp, is under high-pressure when operating. While the lamp and the projector are carefully designed to minimize the probability of lamp rupture, the lamp may break while operating and small amounts of mercury vapor may be emitted from the projector. The probability of rupture increases when the lamp reaches its nominal life. It is therefore highly recommended that the lamp is replaced when the rated lifetime is reached.

As a general precaution, secure good ventilation in the room when operating the projector. If lamp rupture occurs, evacuate the room and secure good ventilation. Children and pregnant women in particular should leave the room.

When replacing a worn lamp, dispose of the used lamp carefully by proper recycling.

Mercury is a naturally occurring, stable metallic element that may pose a safety risk to people under certain conditions. According to the Public Health Statement for Mercury published by the Agency for Toxic Substances and Disease Registry (“ATSDR”, part of the United States Public Health Service), the brain, central nervous system and kidneys are sensitive to the effects of mercury, and permanent damage can occur at sufficiently high levels of exposure. Acute exposure to high concentrations of mercury vapor can cause conditions such as lung and airway irritation, tightness in the chest, a burning sensation in the lungs, coughing, nausea, vomiting and diarrhea. Children and fetuses are particularly sensitive to the harmful effects of metallic mercury to the nervous system.

Seek medical attention if any of the above symptoms are experienced or if other unusual conditions are experienced following lamp rupture.

## 1.3 WEEE INFORMATION

This product conforms to all requirements of the EU Directive on waste electrical and electronic equipment (WEEE). This product shall be recycled properly. It can be disassembled to facilitate proper recycling of its individual parts. This product is using projection lamps that shall be recycled properly. Consult your dealer or relevant public authority regarding drop-off points for collection of WEEE.

## 1.4 WARNING

This product contains chemicals, including lead, known to the State of California to cause birth defects or other reproductive harm. Recycle properly, do not dispose of in ordinary waste!

## 1.5 REMOTE CONTROL WARNING

Laser radiation class II product; wavelength 670nm; maximum output 1mW.




Remote control complies with applicable requirements of 21 CFR 1040.10 and 1040.11.

Remote control complies with applicable requirements of EN 60 825-1: 1994 + A11

## 1.6 WARNING ABOUT SUBSTANCES

This product contains chemicals, including lead, known to the State of California to cause birth defects or other reproductive harm. Recycle properly, do not dispose of in ordinary waste!

### WARNING SYMBOLS

-  **READ USER GUIDE Attention!** Read the user guide for further information!
-  **RECYCLE Warning!** Recycle properly, do not dispose of in ordinary waste!
-  **NO TELEPHONE Warning!** Do not connect to telephone lines!

This page intentionally left blank.

# 1 What's in the box?

---

The WQXGA Projector comes with the following components:

Projector



Power Cable (Country Dependant)



Remote Control



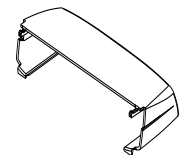
HDMI-cable



DVI-cable



Ceiling mount Cable Cover



User Documentation



Please verify that you have all components upon unpacking the unit, and its contents.  
Please save packaging materials for future use, should it be necessary to ship the unit.

This page intentionally left blank.

# 1 Getting to know the projector

## 1.1 Overview

- A Lens
- B IR sensor
- C Ventilation
- D Lens release
- E Power connector
- F Keypad
- G Connector panel
- H LCD
- I Lamp lids
- J Adjustable feet
- K Security lock
- L Ceiling mount

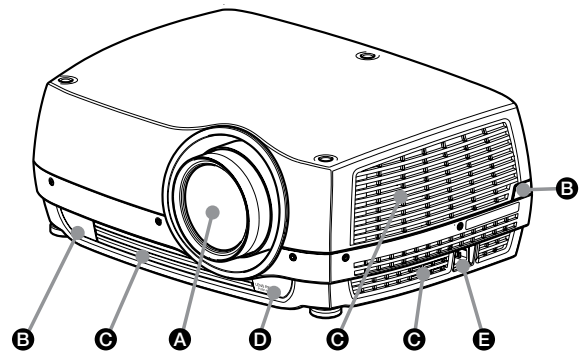


Figure 1-1. - Projector front view

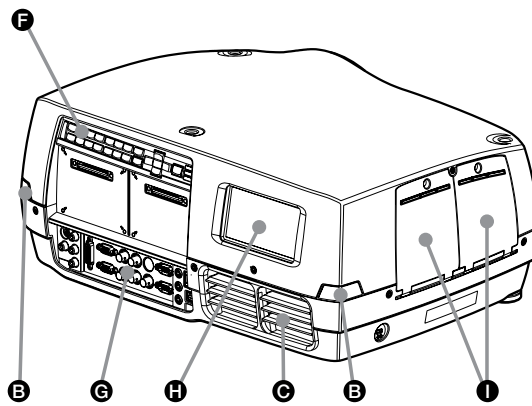


Figure 1-2. - Projector rear view

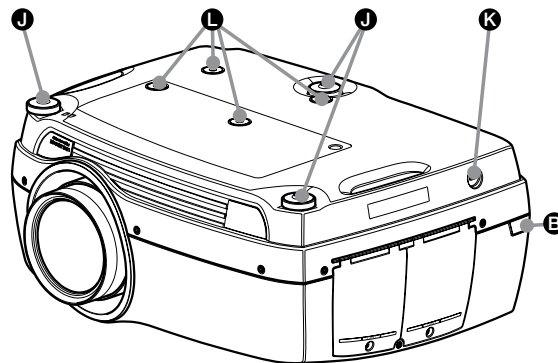


Figure 1-3. - Projector bottom view

## 1.2 Indicators

System status indicators are located right of the keypad on the back of the projector. Figure 4-4 shows the three status indicators – one for each lamp and one for the system status.



Figure 1-4. The lamp indicators

For the lamp indicators the following apply:

- PERMANENT GREEN LIGHT: The lamp is on and operating normally.
- PERMANENT YELLOW LIGHT: The lamp is off. The lamp may be disabled in the menu or the system is in standby.
- PERMANENT RED LIGHT: Lamp life has expired, lamp is not igniting or lamp door is open. If the lamp life has expired, please change projection lamp immediately. Failing to change lamp may lead to lamp explosion. Please replace with original projectiondesign equipment.
- FLASHING YELLOW LIGHT: The lamp is cooling down. The total cooling down time is approx. 45 seconds.
- NO LIGHT: No lamp inserted.



NOTE!

**Note!** The replacement lamps must be purchased from an authorized projectiondesign dealer for the warranty of the product to be valid.

### 1.2.1 The status indicator

- PERMANENT GREEN LIGHT: The projector is turned on and in normal operation.
- PERMANENT YELLOW LIGHT: The projector is in standby mode. If the projector was powered off by the power saving feature (DPMS), it will automatically power on when you connect a valid source.
- FLASHING YELLOW LIGHT: Please wait. The yellow light will flash a period after power cord is connected (20-30 sec.), and a period after going to standby mode while lamp is cooling down (approximately 45 sec.). The projector may not be turned on again until the light has turned to permanent yellow.
- FLASHING RED LIGHT: Projector is overheated. Turn off immediately! Check if air inlets are covered or if ambient temperature is outside specifications. The projector cannot be restarted until the power cord is disconnected and reconnected again. If the projector continues to flash red, you will need to return the unit for service.



## 1.2.2 Keypad

The projector has an illuminated keypad on the back of the unit. Figure 4-5 shows the keypad.



Figure 1-5. Projector keypad

The keypad is used to:

- navigate the menu system
- scroll the information in the LCD panel
- directly select input sources
- enter pin code (if enabled)
- power on/off
- adjust basic image functions

The keypad is illuminated for operation in dark environments. Available functions are illuminated in yellow while selected (active) functions are illuminated in green. Functions that are not available are not illuminated.

## 1.2.3 Remote control

The remote control allows flexible access to the projector settings, either through direct keys, or through the menu system. The remote control is backlit for use in dark environments. It also has a data-jack that allows for wired connection to the projector. When the wire is connected, the IR (infra-red) beam and internal batteries are switched off.



NOTE!

**Note!** The direct sources buttons for VGA1, VGA2, X-Port 2 and YPbPr are not available for all versions of the product. If your product does not have these inputs implemented the OSD will display “not available” when pressing these buttons.



Figure 1-6. Remote control

## 1.2.4 Connectivity

The projector features a wide range of video inputs and command/control connectors. Figure 4-7 shows the connector panel.



Figure 1-7. Connector panel

- A** LAN: 10/100 Mbit Ethernet connector for command, control and software upgrade.
- B** RC INPUT: 3.5mm mini-jack connector. Allows connection of external IR receiver or wired remote control.
- C** TRIGGERS: 3.5mm mini-jack connector triggers. Used for controlling peripheral equipment like motorized screens.
- D** 3D SYNC: Reserved for future use.
- E** RS-232: Allows for wired remote control and monitoring of many projector functions used in installation environments.
- F** USB-A: Allows for software upgrades using a standard USB memory stick.
- G** USB-B: Reserved for future use.
- H** SYNC-IN: Allows for taking an external vertical sync signal and using that with the select video input. This is mainly used in multiple projector installations with requirement of video synchronization between the units.
- I** SYNC-OUT: Constantly outputs the vertical sync signal of the active video input. This is mainly used in multiple projector installations with requirement of synchronization between the units.
- J** DVI-D: Two Dual Link DVI-D connectors with bandwidth up to 330 Mhz total. These connectors can also be used to form one uniform image by feeding half of the image into each connector. HDCP compliant for sources up 165 Mhz.
- K** HDMI 1.3: Two HDMI 1.3a connectors with bandwidth up to 165 Mhz each. These connectors can also be used to form one uniform image by feeding half of the image into each connector. HDCP compliant. All video formats specified by the HDMI 1.3a are supported.

### 1.2.5 Graphical User Interface (GUI)

The projector has an easy-to-use on screen display (OSD) system for controlling the extensive number of features implemented. Figure 4-8. Top level OSD menu, shows the top level of the OSD menu.



Figure 1-8. Top level OSD menu

Activate the menu by pressing the "MENU" button on either the keypad or the remote control. Navigate the menu using the arrow keys.

The various functions in OSD menu is described in Chapter 5 Basic setup.

This page intentionally left blank.

# 1 Basic setup

## 1.1 Lens

### 1.1.1 Lens and lens mount

A range of fixed and zoom lenses is available to cover most applications, both front and rear. The lenses are powered and fitted with a bayonet mount for ease of installation.



**IMPORTANT! Switch off all equipment before setting-up for proper function.**

When mounting and changing lenses, be aware that the optical system is exposed to dust and foreign particles as long as the lens is not attached to the system. Do not leave the lens mount open longer than necessary to change lens. If a lens is not mounted, always insert the protection lid to avoid dust and foreign particles entering the internal optics.

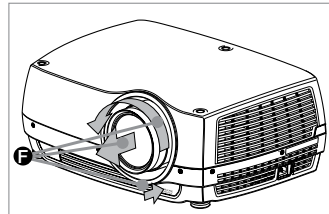
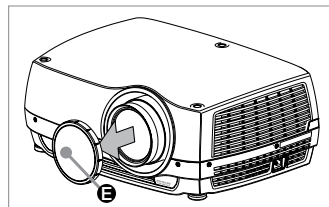
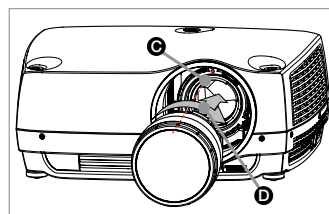
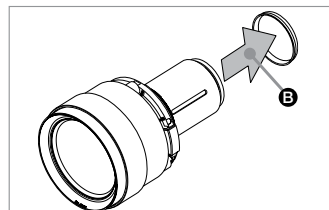
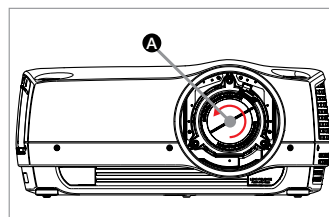


**IMPORTANT! Never run the projector without lens mounted.**

### 1.1.2 Inserting a lens

To insert a lens please follow this procedure:

- A** Remove the protection lid from the bayonet mount by turning the knob anti-clockwise.
- B** Remove the rear lens cap.
- C** Attach the projection lens using the bayonet mount, observing the red insertion marks.
- D** Turn the lens firmly clockwise until it stops with a click.
- E** Remove the lens cap from the projection lens. If you switch the projector on with the lens cap in place, the lens cap may melt, damaging not only the lens cap, but also the projection lens and surrounding parts.



### 1.1.3 Replacing a lens

To replace a lens please follow this procedure:

- A** To change lens, first remove the current lens by pushing the release button and twisting the lens counter-clockwise until it comes loose. Pull the lens out.
- B** Insert the new lens as described in above.

## 1.2 Adjusting on screen image size and position

Adjusting the placement of the image on screen can be done using the:

1. Adjustable feet (E in Figure 5-1).
2. Lens shift mechanism controlled from the keypad, the remote control, RS-232 or LAN (A in Figure 9).
3. Zoom (for lenses with zoom) in the lens controlled from the keypad, the remote control, RS-232 or LAN (B in Figure 5-1).

After the correct image size and position is found, please adjust the image focus using the keypad, the remote control, RS-232 or LAN. (C in Figure 5-1).

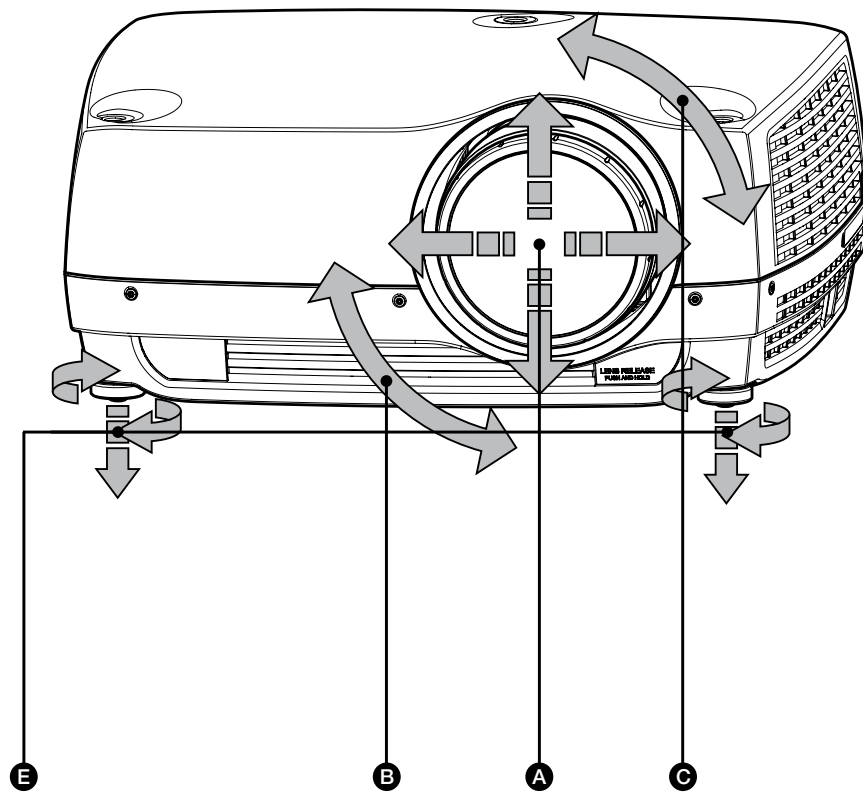


Figure 1-1. Image size and position adjustment

### 1.3 Lamp operation

The projector is fitted with two individual projection lamps that can be run in various modes. In addition, lamps can be replaced as needed separately. This ensures an optimized cost of ownership. Individual lamp timers are maintained for each lamp.

Lamp operation mode is controlled in the INSTALLATION > LAMPS sub menu.

### 1.4 Ceiling mount

The projector can be ceiling mounted using an approved UL tested/ listed ceiling mount fixture, with a capacity of minimum 60 kg / 130 lbs. For ceiling mount use M6 screws that penetrate maximum 15 mm / 0.6" into the projector body. Error! Reference source not found. gives detailed information about the alignment of the ceiling mount screw holes in the projector.

**⚠ IMPORTANT!** For proper ventilation the minimum distance from ceiling/ rear wall should be: 30/ 50 cm, 12/ 20 inch.

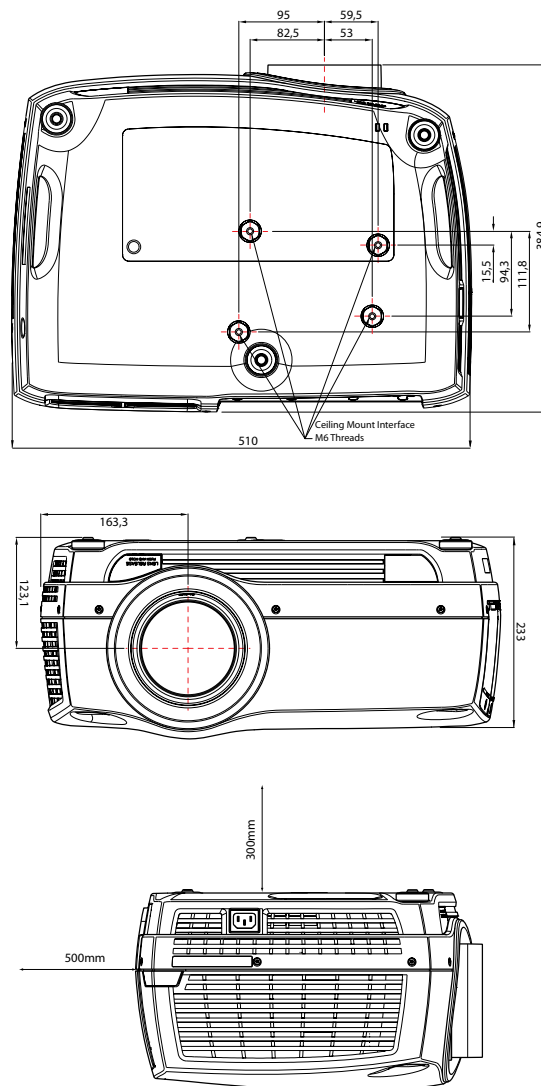


Figure 1-2. Ceiling mount

### 1.4.1 Ceiling mount cover

The supplied auxiliary cable cover can be mounted on the projector to conceal the interface cables and power cord when the unit is ceiling mounted. Connect all cables and fix them in place before the cable cover is attached to the projector. Figure 5-3 shows the ceiling mount cover.

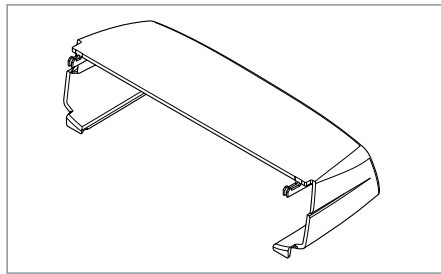
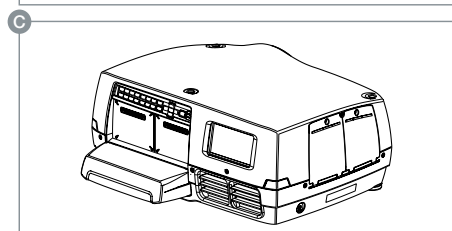
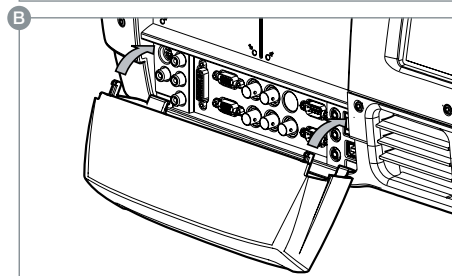
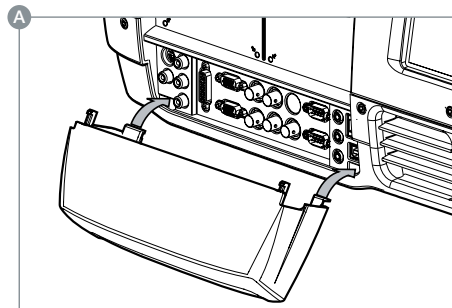


Figure 1-3. The ceiling mount cover

### 1.4.2 Attaching the ceiling cover

To attach the ceiling mount cover, please follow this procedure:

- A** Attach the cable cover to the projector by inserting the horizontal hooks on the cover in the horizontal slots on the rear of the projector.
- B** Turn the cover until the vertical hooks on the cover are inserted into the vertical slots on the rear of the projector.
- C** The cover will snap in place, to release pull the vertical hooks on the cover out of the slots, letting the cover hinge on the horizontal hooks.





## 1.5 Connecting and cables



**NOTE!** Before setting up, switch off all equipment and disconnect the power cord.

NOTE!

### 1.5.1 Setting up a video source

For best quality video, connect a digital video source using the HDMI 1.3a interface (A) in Figure 5-4. Both HDMI inputs are HDCP copy protection compliant. Depending on cable quality, the projector is supporting the use cables with lengths up to 20 meters (65 feet).



Figure 1-4. Connecting a video source

### 1.5.2 Setting up a computer source

The projector may be connected to up to four computer sources simultaneously, using the HDMI (A) and/or DVI-D (B) interfaces, shown in Figure 5-5. These interfaces are all-digital and will yield a projected image with very low noise.

Both DVI and HDMI are HDCP compliant with sources up to 1920x1200@60Hz (single link source up to 165 Mhz).



Figure 1-5. Connecting a computer source



**NOTE!** HDCP is not supported on higher resolution sources like 2560x1600@60Hz (WQXGA).

NOTE!

Connect the power cord after the DVI cable is inserted properly.

### 1.5.3 Connecting command and control interfaces

The projector is supporting RS-232 and LAN command and control interfaces. Use the ASCII based, simple instruction set (SIS) protocol to communicate with the projector. A detailed description of the ASCII protocol is available for download at [www.projectiondesign.com](http://www.projectiondesign.com).

Connect the power cord after the selected command and control cables are inserted properly.

## 1.6 Image alignment

For easier alignment of the projector, test images are built into the system.

To enable test images, go to the menu entry **INSTALLATION > TEST IMAGE**. Cycle the various test images using the arrow keys. When a test image matching the aspect ratio of your screen has been found, use the zoom, focus, lens shift and physical projector alignment to match the screen.

## 1.7 Setting image orientation

In relation to the screen, the projector supports the following installation orientations:

1. Desktop front (default)
2. Ceiling front
3. Desktop rear
4. Ceiling rear

To set the image orientation go to menu entry **INSTALLATION > IMAGE ORIENTATION**

## 1.8 Using source scan

The projector can automatically scan through all the input connectors for a valid signal. If a valid signal is found, the image will set up. This is called source scan.

Source scan is default disabled. When disabled, the projector will only search the selected input connector for a valid signal. Use the keypad, remote control or any command and control interface to change in selected input interface.

To set the source scan setting, go to menu entry **INSTALLATION > SOURCE SCAN**

## 1.9 Limiting OSD messages

When detecting sources and using the various features of the projector, OSD messages will appear on the screen. Which messages that are appearing can be partially controlled by the user. The OSD can run in these modes:

- **ON**. All messages, warning and information OSDs are displayed.
- **OFF**. No messages are shown.
- Only warnings. Only critical warning messages like temperature overheating will be shown.

Go to menu entry **INSTALLATION > OSD ENABLE** to control the OSD behavior

## 1.10 Using the dual lamp system

The projector is fitted with two individual projection lamps that can be run in various modes. In addition, lamps can be replaced as needed separately. Individual lamp timers are maintained for each lamp.

The lamps can be used in the following modes:

- Both lamps on. (Default)
- Single lamp 1. Just the lamp in lamp chamber 1 is on.
- Single lamp 2. Just the lamp in lamp chamber 2 is on.
- Auto switch. Each single lamp is on for a defined number of hours, before swapping automatically. The delay between the lamp swapping is user adjustable.

To set the lamp mode, go the menu entry **INSTALLATION > LAMP > LAMP MODE**

Each of the lamps can also be run in ECO mode or dimmed between 80 and 100 %. Go to menu entry **INSTALLATION > LAMP** for the options.

## 1.11 Changing the language of the menu system

The projector menu system has a total of 11 user-selectable languages embedded for easier use all over the world. The default language is English.

The available languages are:

- English
- French
- German
- Spanish
- Russian
- Norwegian
- Swedish
- Korean
- Japanese
- Chinese Simplified
- Chinese Traditional
- Portuguese
- Italian

To change the language of the menu system, just select "LANGUAGE" from the top menu and select your desired language.

## 1.12 Identifying system status

For ease of use, the projector has a complete menu available for system status. It is easily accessible from the top menu. From this menu the following information can be read:

- Part number
- Serial number
- The year/week the projector was manufactured
- Current software version
- Runtime and remaining time for both lamps
- Total number of operating hours
- All network information
- Current lens mounted
- Currently active source

### 1.12.1 Getting information about the active source

By selecting STATUS > SOURCE INFORMATION basic information about currently active source is displayed.

If a deeper analysis is required for the currently active source, select STATUS > SOURCE INFORMATION > ADVANCED. This menu provides detailed timing information for the currently active source.

This page intentionally left blank.

This page intentionally left blank.

# 1 Advanced setup

## 1.1 Controlling multiple projectors with remote control ID (RCID)

The remote control can be operated either in 'broadcast mode', or 'individual mode'. When several projectors are in use in an installation, individual control may be convenient. Individual control is available either by wired remote control, using the data-jack, or by using an individual number code. For individual control, first set the individual RC ID code using the projector menu system, see the SETTINGS sub menu. Then, to select a specific projector to control, first press the '\*' button in the lower keypad area, then the code as set in the target projector. A code can be in the range '0'..'99'. '0' is reserved for broadcast. To select another target, repeat the process by pressing '\*' and a new code. To exit individual control, press '\*'\*'\*' twice or press '\*' and '0'.

## 1.2 Protecting the projector with a pin code

The projector may be controlled by a PIN (Personal Identity Number) code. The PIN code is 4 digits, and if the PIN code is activated, you must enter the correct code to unlock the projector. Factory set PIN (1234).

To activate, deactivate or change the PIN code, see the SETTINGS > PIN CODE sub menu.



NOTE!

**NOTE!** If an incorrect PIN code is entered, you may try again two times.

If you fail three times in a row, a PUK (unlock) code is needed. The PUK code is supplied with the product.



**WARNING!** ENTERING THE PUK CODE CORRECTLY IS THE CUSTOMERS RESPONSIBILITY

If you also fail three times with the PUK code, the projector locks up permanently, and can only be unlocked by a special service unlock code.

To access this code, you will need to contact your dealer or a service station. The service unlock code will be generated based on a secure, encrypted number that is produced by the projector itself. The projector will produce a new number every time.



NOTE!

**NOTE!** TO UNLOCK THE PROJECTOR, PROOF OF OWNERSHIP MUST BE PROVIDED BY THE CUSTOMER

### 1.3 Using dual head input

For extended flexibility to connect high resolution sources with a pixel clock over 165 MHz, the projector is supporting a dual head input mode. In this mode the left and right half of the image can be connected to the DVI 1/DVI 2 or HDMI 1/HDMI 2 interfaces respectively (Figure 6-1).

To enable this mode, go to the menu INSTALLATION > DUAL HEAD SETUP. Side-by-side is the only available option at this time.



Figure 1-1. Dual input mode

An example of this is feeding a WQXGA (2560x1600) source with 1280x1600 resolutions on each the DVI interfaces.

When enabling this mode, the EDID data on each of the DVI connectors will automatically be changed from WQXGA (2560x1600) to 1280x1600.



NOTE!

**NOTE!** For the image to be displayed in this mode, the resolution must be exactly the same on both connectors.



NOTE!

**NOTE!** In this mode the two connected sources must have exactly the same timing. A drift in timing between the inputs will result in a visible split in the center of image.



NOTE!

**NOTE!** Some graphic cards have problems with detecting the change from single head to dual head mode. If problems occur, disconnect both signal cables before enabling or disabling the dual mode in the menu.

### 1.4 Setting custom color space and digital level

The projector will automatically try to set the correct color space and digital drive level based on information from the source.

To manually override the automatically detected color space and digital level go to menu entry PICTURE -> ADVANCED. Set the “digital color space and level” to manual and select your color space and digital drive level.

### 1.5 Disabling IR receivers

The projector has 3 IR receivers as shown in chapter 4.1 Overview.

These receivers can be individually disabled if necessary. Go to menu entry INSTALLATION > IR FRONT / IR REAR LEFT / IR REAR RIGHT to disable the receivers.

## 1.6 Controlling screens with triggers

The projector has to programmable triggers with 3.5 mm2 mini-jack connectors. These can be used to enable or disable screens, curtains or other peripheral equipment.

To change trigger settings, go to menu entry INSTALLATION > TRIGGER

By default:

- Trigger 1 is set to control a screen depending on whether projector is powered on or not.
- Trigger 2 is set to control a screen depending on the aspect ratio of currently active source.

Both triggers can be manually overridden both in the menu system and by using the command and control protocol through RS-232 or LAN.

## 1.7 Setting aspect trigger behavior

To customize the aspect trigger functionality, go to menu entry INSTALLATION > TRIGGER > ASPECT TRIGGER BEHAVIOR. In this sub-menu it is selectable for which input aspect ratios the trigger will be enabled.

## 1.8 Automatic power on/off

The projector can be automatically power on or off by using the internal timer function or DPMS.

### 1.8.1 Using the timer

The projector features a real-time clock that enables timing control. This means that the projector can be programmed to switch on and off at certain pre-set times during a weekly cycle.

To allow for a flexible schedule, 10 'programs' are available. With each program, you can define the switch on or switch off time for a single day (Monday to Sunday), all work days (Monday through Friday), or week-end (Saturday and Sunday). One, several or all programs can be active at the same time as desired. In this way, a flexible scheme can be established. Observe the 24 hour time format. For more information, see the SETTINGS > TIMER menu.

The following example illustrates a case where the projector turns on at 08:00 in the morning (8 am) and switches off at 20:00 (8 pm) on weekdays (Monday through Friday). Weekends (Saturdays and Sundays), it turns on at 10:00 (10 am) and off at 18:00 (6 pm). VGA is used as the source. For this, four programs are needed, 2 for on and two for off.

### 1.8.2 Using DPMS (Display Power Management Signaling)

The projector is enabled for DPMS (Display Power Management Signaling). When enabled, the projector will automatically switch to standby mode after a specified time if there is no valid source present at its inputs. When a valid source is reconnected, the projector will start up again.

To enable or disable DPMS, go to menu entry SETTINGS > DPMS. The desired DPMS timeout is set in the DPMS > DPMS TIMEOUT menu entry.

DPMS is disabled by default.



## 1.9 Disabling LED indicators

In certain installations it may be desirable to completely disable the LED indicator in the keypad of the projector. To disable the LED indicators, go to menu entry **SETTINGS > LED INDICATORS MUTE**.



**NOTE!**

Pressing the “LIGHT” button on the keypad enables the LED indicators even if the LED INDICATORS MUTE function is enabled.

If the LED indicators are enabled, the timeout period can be set in the menu under **SETTINGS > BACKLIGHT TIMEOUT**.

## 1.10 Setting the background color

The background color displayed when the projector is searching for a source can be set to a set of predefined colors. Go to menu entry **SETTINGS > BACKGROUND** to set the desired color. Default is black.

## 1.11 Setting OSD menu timeout

If the OSD menu is open and not used for a defined period of time, it will automatically be disabled. The default time is 30 seconds. This timeout interval can be controlled from 5 seconds to 60 seconds. The timeout can also be set to “never” for the OSD menu to never timeout. Go to menu entry **SETTINGS > MENU TIMEOUT** to change this setting.

## 1.12 Selecting the startup logo

When the projector is starting up, a logo is displayed in the entire image. The logo can also be set to “black” if it is desirable to disable the manufacturer's default logo. Go to menu entry **SETTINGS > SPLASH** to change this setting.

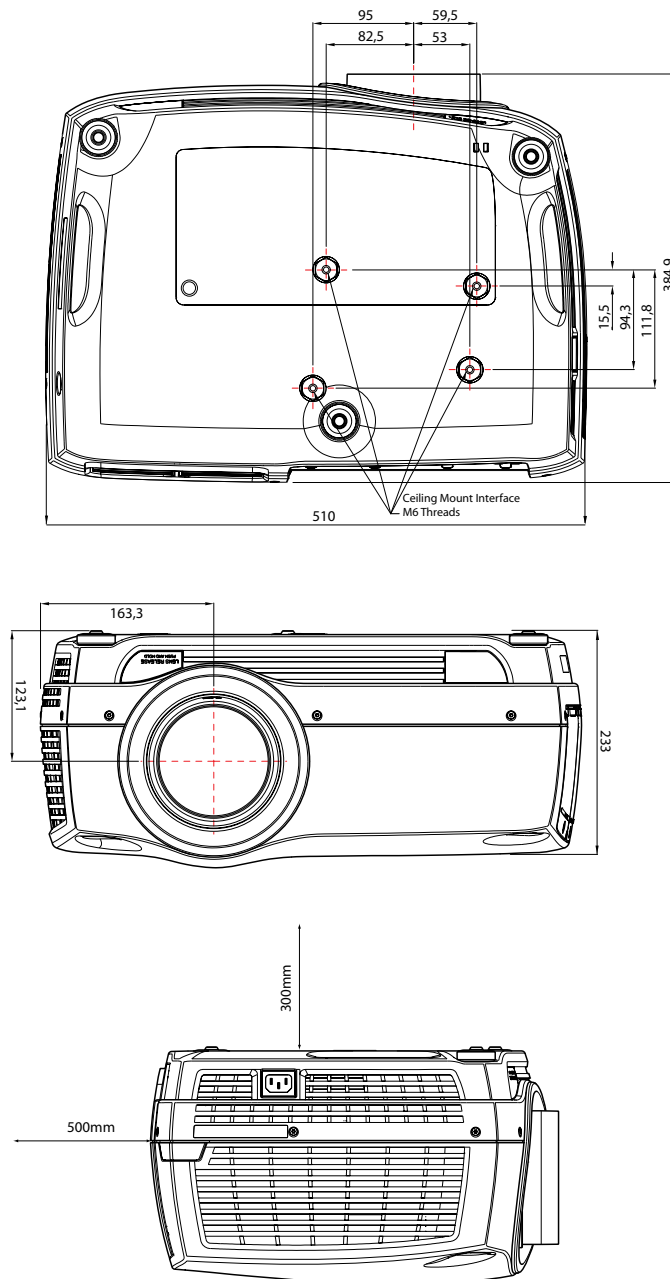
# 1 Technical specifications

## 1.1 Product details

projector display	technology	DLP® digital projector single chip DMD™ (Digital Micromirror Device™)	
	concept	sealed, all-glass optical design with lens shift	
	available resolutions	2560 x 1600	
	colours	30-bit	
	colour management accuracy	± 0.002 on x, y, z axis with VizSim colour wheel	
input signal compatibility	computer	up to 2560 x 1600 pixels RGBHV	
	horizontal scan frequency	15 - 150 kHz	
	vertical scan frequency	48 - 190 Hz	
	video	HDTV (1080i, 720p, 576i/p, 480i/p) NTSC 3.56/4.43, PAL BGHI, M, N, SECAM	
	bandwidth	330 MHz digital RGB (DVI or HDMI)	
optics	available lenses	fixed focal ultra wide angle	EN42 (503-0223-00)
		ultra wide angle zoom	EN45 (503-0250-00)
		wide angle zoom	EN43 (503-0224-00)
		standard zoom	EN41 (503-0222-00)
		long throw zoom	EN44 (503-0225-00)
	focusing distance	0.5 - 40m (see separate lens specifications)	
	optical lens shift	vertical and horizontal	
	lens iris control	EN42 on axis only F/2.1 - 6.5 for all lenses, continuously adjustable	
	shutter	mechanical	
	colour wheel options	RGBRGB - visualization & simulation RGBW - graphics display RGBCW - high brightness display	
	lamp	2 x 300W UHP™	
	lamp life	2000 hrs (5000 hrs in eco relay mode)	
	replacement lamp part no.	400-0500-00	

connectivity	computer/video	2x HDMI (1.3)
		2x DVI-D
	control and communication	1x RJ45 TCP/IP network port 1x RS232 9-pin DSUB (in) 1x USB-A - firmware upgrade 1x USB-B - reserved for future use 2x 12V (60mA) triggers (screen drop / aspect) 1x RC repeater, 3.5mm mini jack 2 x BNC external sync (in/out)
supplied accessories	cables	4m power cord (country dependant)/ HDMI/ DVI-dual link
	other	backlit IR remote control, ceiling mount cable cover product documentation
general	dimensions (dwh)	376 x 510 x 223 mm (ex. lens)
	weight	about 12.6 kg (ex. lens)
	environmental security	RoHS, WEEE 4-digit PIN code, Kensington lock
	power requirements	100 - 240 VAC, 50/60 Hz, +/- 10% <1050W power consumption <2900 BTU/hr
	conformances	CE, CSA "C/US", FCC Class A, CCC
	operating temperature	0 - 40°C / 32 - 104°F, 0 - 1500 m 0 - 35°C / 32 - 95°F, 1500 - 3000 m
	operating and storage	20 - 90% RH
	available colours	black metallic, silver metallic
	warranties	2 years, 24/7, 500 hours or 90 days on lamp Up to 5 years total extended warranty available. Conditions apply.

## 1.2 Ceiling mount



# 1 Optimising the picture

The projector has power features for picture optimization. This chapter describes details in using these features. All color calibration is done using projectiondesign's proprietary RealColor™ solution.

## 1.1 Calibration data

All projectiondesign projectors are measured and calibrated with high precision equipment at the factory for the best out-of-box experience. Over the lifetime of the lamps the characteristics of the projector might change slightly. The same applies when replacing lamps.

### 1.1.1 Updating RealColor™ calibration data

For accurate results with the RealColor™ system, accurate measurement data is required.

RealColor™ calibration data can be found under the menu entry PICTURE > CALIBRATION > REALCOLOR CALIBRATION > MEASURED VALUES

X, Y and relative luminance values for red, green, blue, white and BrilliantColor™ 1 is entered in this menu. The BrilliantColor™ should all be set to 0.000 for the VizSim (RGBRGB) color wheel. All values can also be updated using the communications protocol over RS-232 or LAN.



**IMPORTANT!** Before setting these values, it is important to select the desired BrilliantColor™ setting. Go to menu entry PICTURE > REALCOLOR > BRILLIANTCOLOR to select the desired BrilliantColor™ look.

Measurements must be done on the built in test patterns. This is in particularly important for the BrilliantColor™ 1 test pattern since it is impossible to generate this pattern correctly using a computer source. In the user menu these patterns can be accessed through PICTURE > CALIBRATION > REALCOLOR CALIBRATION > CALIBRATION TESTIMAGE. Use the arrow keys to cycle through the images.



**NOTE!** Performing a factory reset of the projector will restore the measured values to the values measured in the factory.



**NOTE!** When measuring data, a high quality measurement instrument is highly recommended for accurate results. Spectrometers (like PhotoResearch PR-655) are preferred.



**TIP!** For an easier calibration procedure, automated calibration can be achieved using projectiondesign's software package ProNet. A license for the calibration software package of ProNet must be purchased separately.

## 1.2 Working with RealColor™

### 1.2.1 Setting the BrilliantColor™ correctly

The BrilliantColor™ setting is used to control how color boost is applied in the image. It can operate in four modes:

- Computer Native (Default): This gives max brightness and color boost. Recommended for non-video applications, like CAD and visualization.
- Computer Balanced: Gives the same brightness as Computer Native, but has a less aggressive color boost profile.
- Video Native: Gives less brightness than computer, but will appear with significantly less noise in video content.
- Video Balanced: Same brightness as Video Native, but with a smoother color boost profile.
- Off: Only recommended for applications requiring a pure red, green, blue mix of colors. No secondary color or white are added to the mix.

### 1.2.2 Gamma

The projector features a set of 6 built in gamma curves: Film 2.2, Film 2.8, Video 1, Video 2, Computer 1, Computer 2. The different gamma curves are displayed below.



**TIP!** The names of the curves are descriptive for their recommended use. Use any of the computer curves for video applications will results in significant image noise.

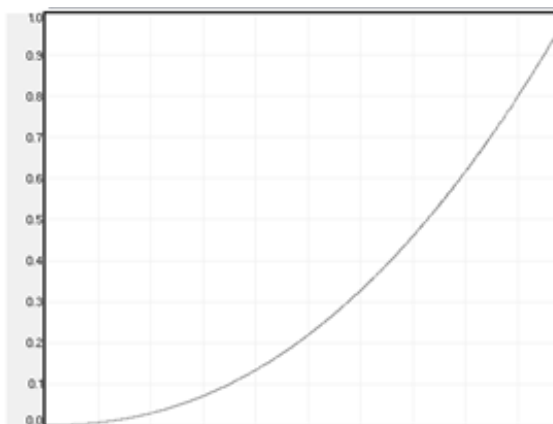


Figure 1-1. Film 2.2 gamma

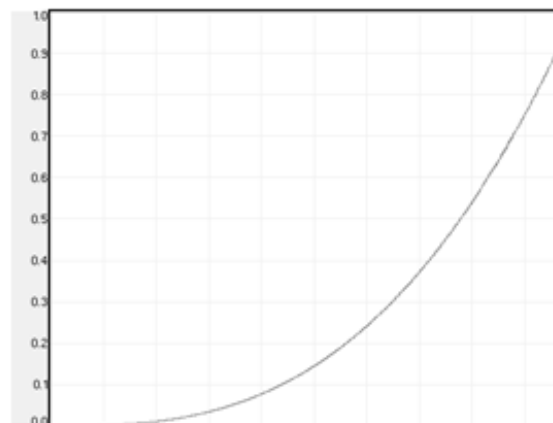


Figure 1-2. Film 2.8 gamma

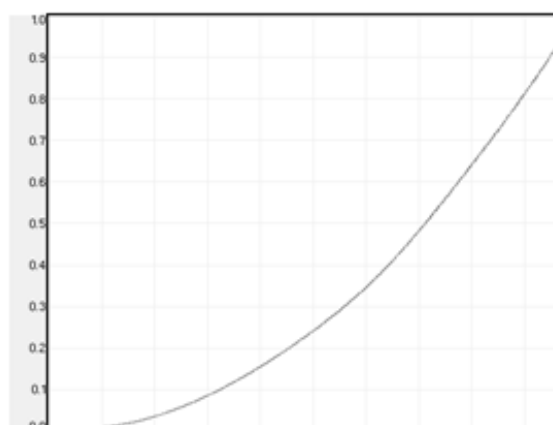


Figure 1-3. Video 1 gamma

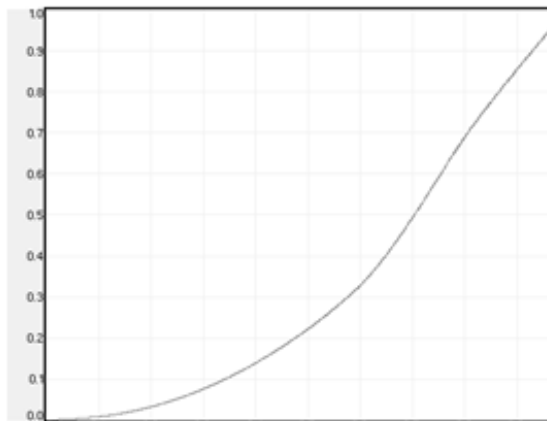


Figure 1-4. Video 2 gamma

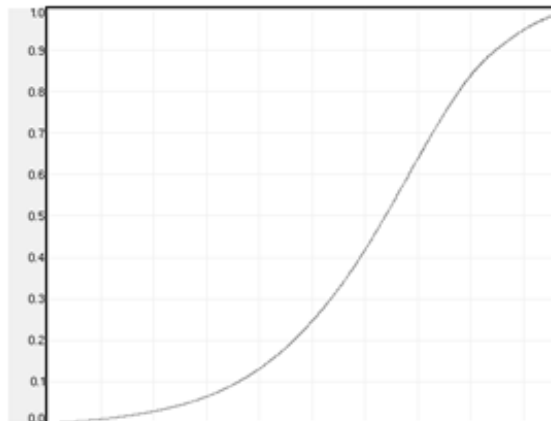


Figure 1-5. Computer 1 gamma

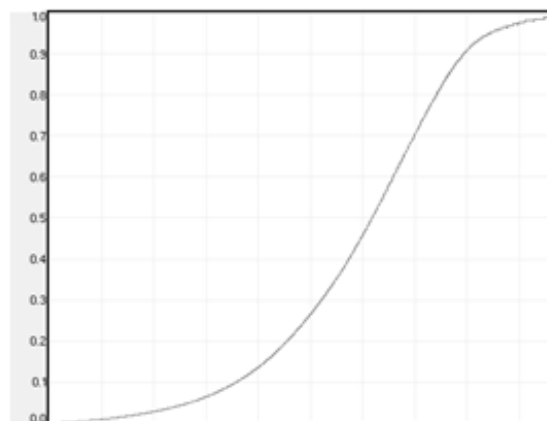


Figure 1-6. Computer 2 gamma

### 1.2.3 RealColor™ operating modes

Before any color correction is applied to the image, the feature must be enabled. Go to menu entry PICTURE > REALCOLOR > COLOR CORRECTION to enable RealColor™.

RealColor™ can operate in 3 modes:

- Color temperature/white point correction only.
- Red, Green, Blue, White correction. In this mode optimal color coordinates for Cyan, Magenta and Yellow will be computed automatically.
- Red, Green, Blue, Cyan, Magenta, Yellow, White. In this mode color points and intensity for each color can be manipulated separately.

To change the RealColor™ mode, please go the menu entry PICTURE > REALCOLOR > DESIRED VALUES > DESIRED COORDS MODE.

### 1.2.4 Setting a white point or color temperature

After enabling RealColor™, set the color temperature in the menu entry PICTURE > REALCOLOR > COLOR TEMPERATURE. Values between 3200K and 9300K can be selected. These color temperatures are tracking the “black body curve” - the black curved line in the center of CIE Chart in Figure 8-7. The default is the D65 illuminant at 6500K.

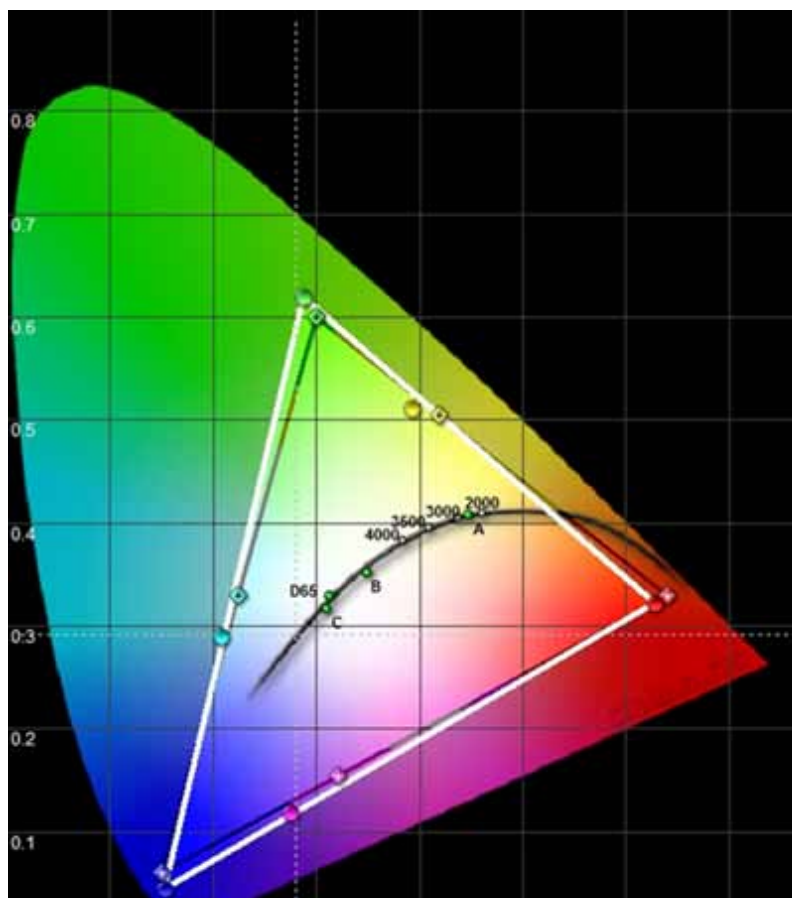


Figure 1-7. CIE Chart with the black body

The white point can also be set to a custom value defined by an x, y coordinate not linked to the black body. Go to menu entry PICTURE > REALCOLOR > X-COORDINATE and PICTURE > REALCOLOR > Y-COORDINATE to change the white point.



## 1.2.5 Defining the system color gamut

All colors visible to the eye are defined by CIE Chart in Figure 8-7. The boundary of the colors the projector can display is called the system color gamut. The white triangle in Figure 8-7 is an example of a system color gamut. By default the projector has the widest possible system gamut, which is limited by the color wheel selected for the system. The VizSim color wheel has the widest color gamut and the High Brightness color wheel has the smallest.



**IMPORTANT! The system color gamut cannot be expanded outside color gamut defined by the color wheel.**

It may be desirable to change the system color gamut of the projector to:

- Color match multiple projectors.
- Meet defined color standards, like REC 709.
- Create a special “look” to the image.

Before the system color gamut can be change the desired RealColor™ mode has to be defined. To change the RealColor™ mode, please go the menu entry PICTURE > REAL-COLOR > DESIRED VALUES > DESIRED COORDS MODE.

RealColor™ has to be enabled for the desired system gamut to be applied. Go to menu entry PICTURE > REALCOLOR > COLOR CORRECTION to enable RealColor™.

After RealColor™ is enabled and the desired color correction mode is selected, please go the menu entry PICTURE > REALCOLOR > DESIRED VALUES to change the color points to the your desired system color gamut.



**TIP!** For graphical visualization of the system color gamut and easy color management for a single or multiple projectors, the ProNet software package could be used. A license for the calibration software package of ProNet must be purchased separately.

# 1 Maintenance

## 1.1 Software upgrades

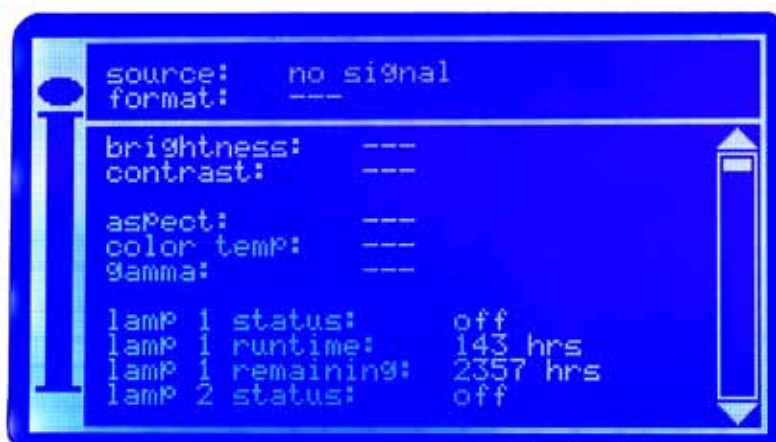
In order to upgrade your projector, please follow the method described below.

- You will need a USB stick set up with a FAT-file system to perform this upgrade
- Contact a Digital Projection Representative at 770.420.1350 for the upgrade software
- Copy the file to the root of a USB memory stick
- Set the projector in standby mode
- Insert the USB stick in the projector and wait for a few seconds
- The LCD display in Figure 9-1 will indicate that it has detected an upgrade file on the memory stick. Wait a few seconds while the file is validated
- Remove the memory stick when the LCD display instructs you to do so
- Do not remove the power cord while the upgrade is still in progress
- The projector may restart several times during the upgrade

The upgrade has finished successfully when the ordinary LCD display returns.

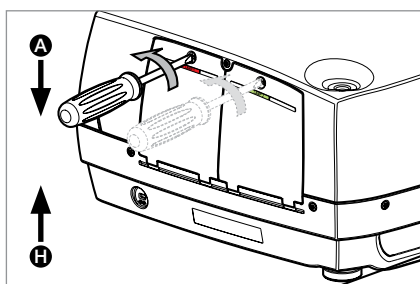
Figure 1-1. LCD display

Please refer to our website at [www.digitalprojection.com](http://www.digitalprojection.com) to find other information



## 1.2 Lamp replacement

The LAMP indicators on the keypad will turn red when lamp life expires.



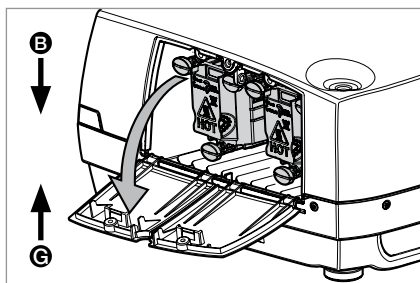
Change the lamp when lifetime expires. Always replace lamp with the same type and rating.

The lamp includes an electronic lamp timer that is tracking the life time of the lamp.

Allow lamp to cool down before changing. One lamp may be changed while the other lamp is operating (hot-swap).

Release the screw (LAMP 1) or (LAMP 2) depending on which lamp that needs to be replaced.

**A** Open the lamp lid(s).



**B** Turn the three locking screws a quarter turn anti-clockwise.

**C** Pull the lamp out.

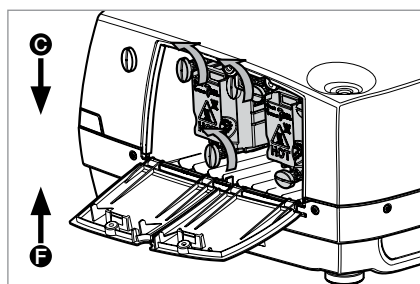
**D** Replace with a new lamp in reverse order.

**E** Insert a new lamp. Observe the guide pins.

**F** Turn the three locking screws a quarter turn clockwise.

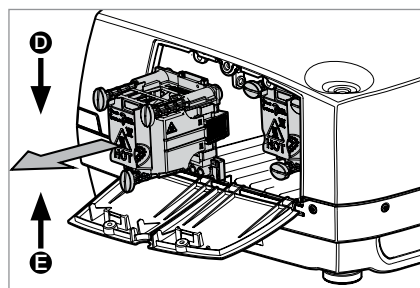
**G** Close the lamp lid.

**H** Turn the locking screw clockwise.



**!** **WARNING!** Be careful not to touch the protective glass when replacing the lamp house, this may cause the protective glass to overheat and break while in use.

**!** **WARNING!** Be extremely careful when removing the lamp module. In the unlikely event that the bulb ruptures, small glass fragments may be generated. The lamp module is designed to contain these fragments, but use caution when removing the lamp module.





# **DIGITAL** **PROJECTION**

**Precision Displays for Every Venue**

digital projection locations

North America Corporate Headquarters

Digital Projection, Inc.  
55 Chastain Road, NW, Suite 115  
Kennesaw, GA 30144  
(P) 770.420.1350  
(F) 770.420.1360

Worldwide Headquarters

Digital Projection Ltd.  
Greenside Way,  
Middleton,  
Manchester  
M24 1XX  
(P) +44 (0) 161 947 3300  
(F) +44 (0) 161 684 7674

China Corporate Headquarters

DP China  
Rm C1202, Cai Fu Jia Yuan, No. 19  
Xiao Ying Street, Chaoyang  
District, Beijing 100101, PR China  
(P) (8610)010-58239771/ 72  
(F) 010-58239770

Asia Corporate Headquarters

DP Asia  
16 New Industrial Road  
#02-10 Hudson Technocentre  
Singapore 536204  
(P) 65-6284-1138  
(F) 65-6284-1238

[www.digitalprojection.com](http://www.digitalprojection.com)