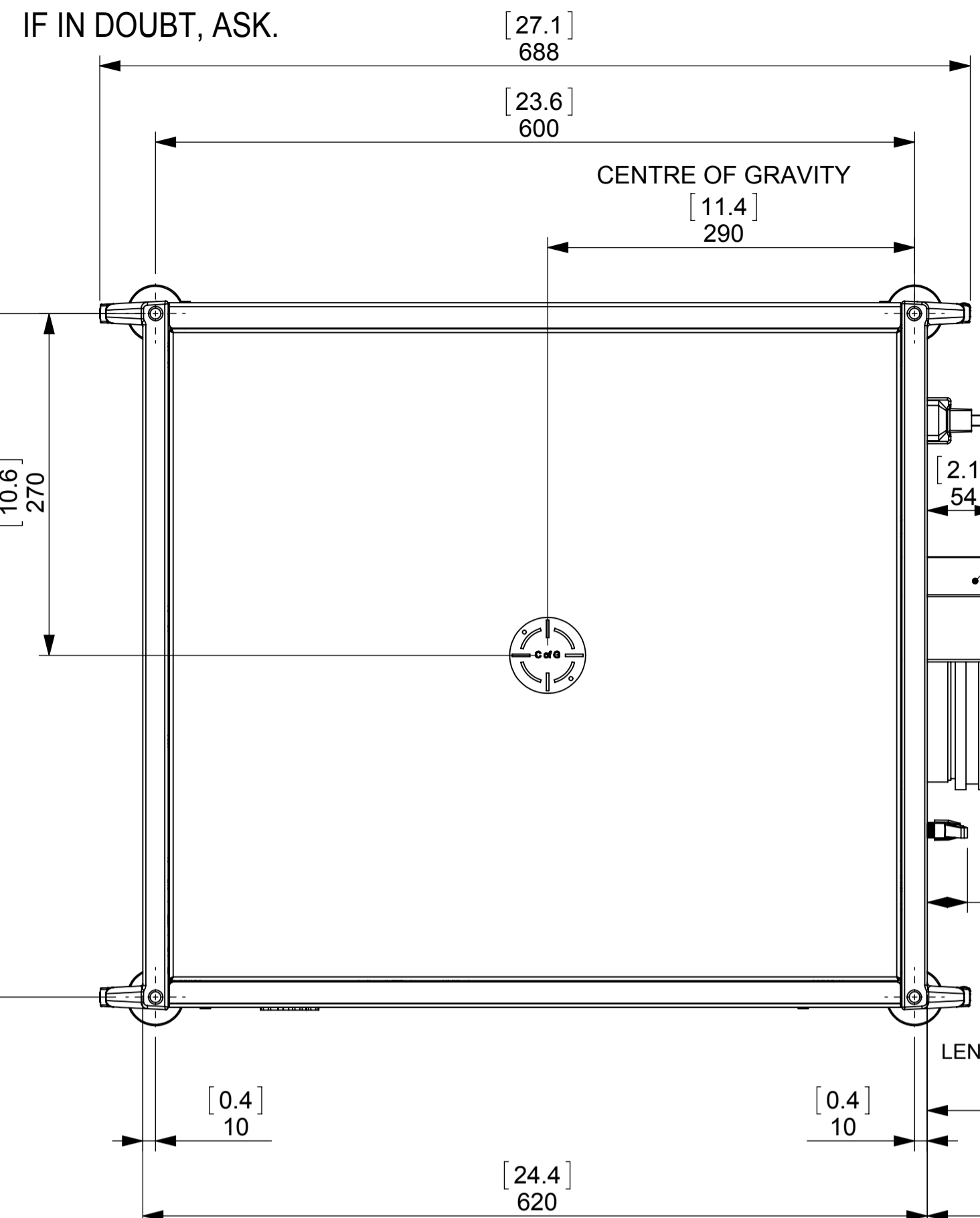
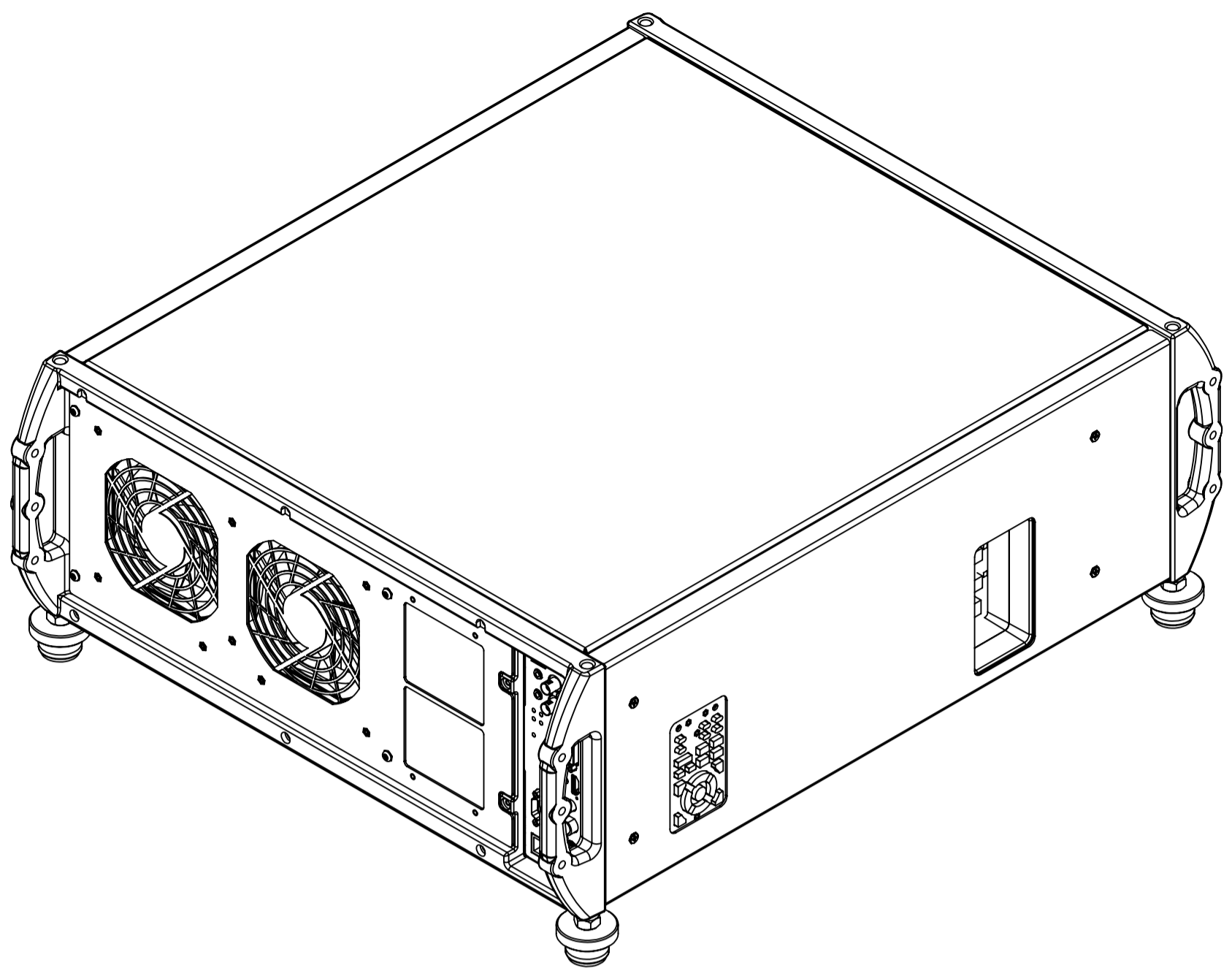
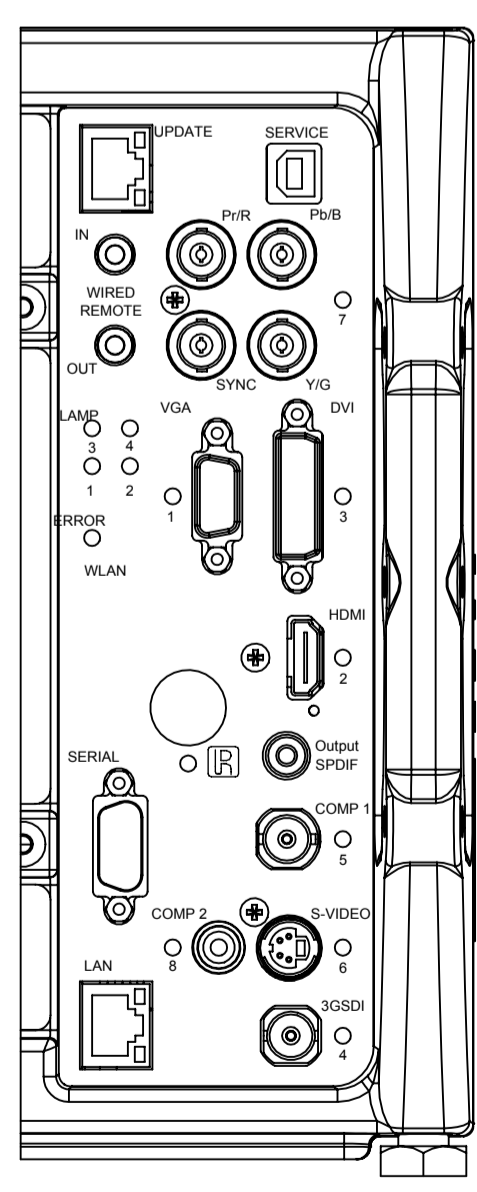
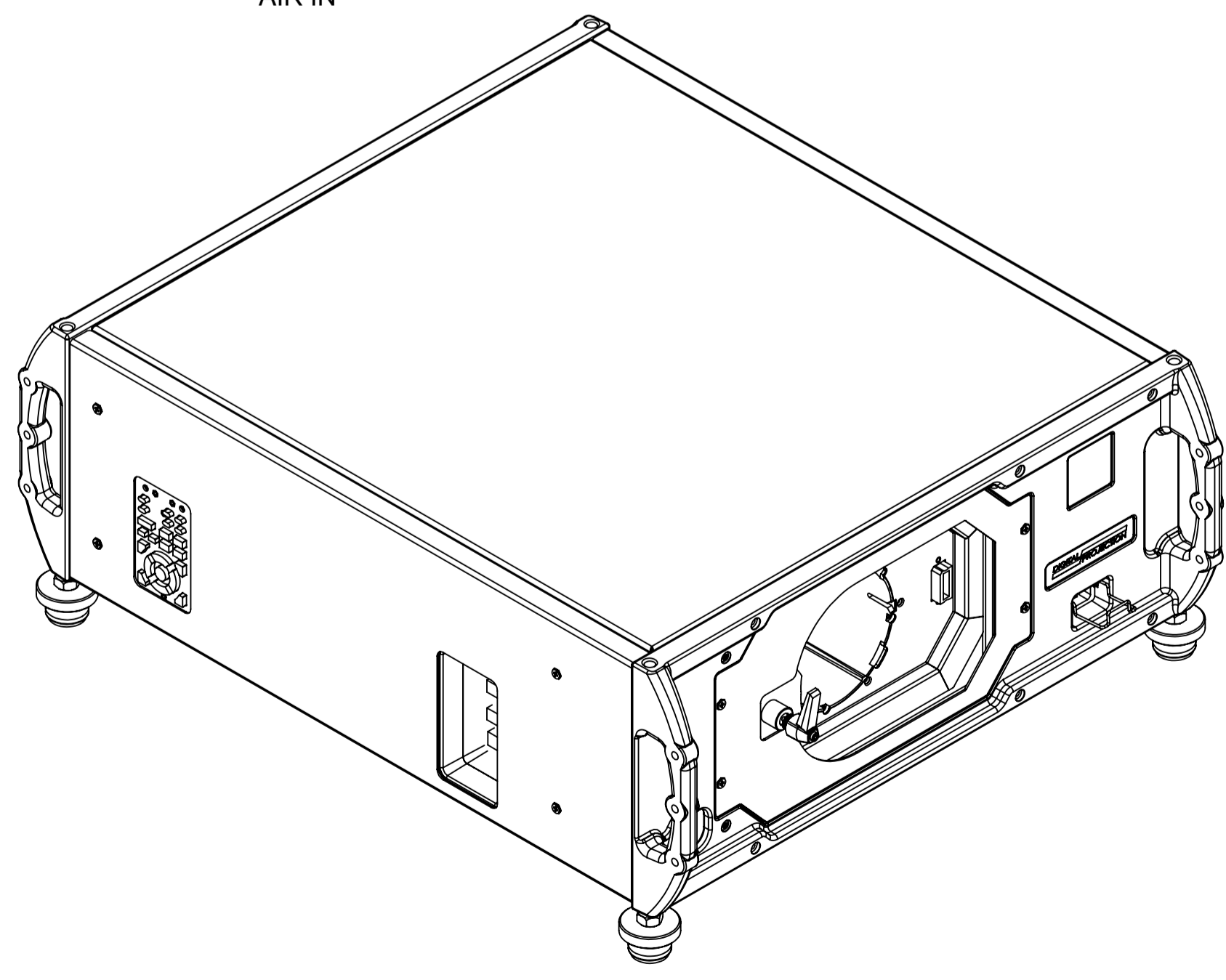
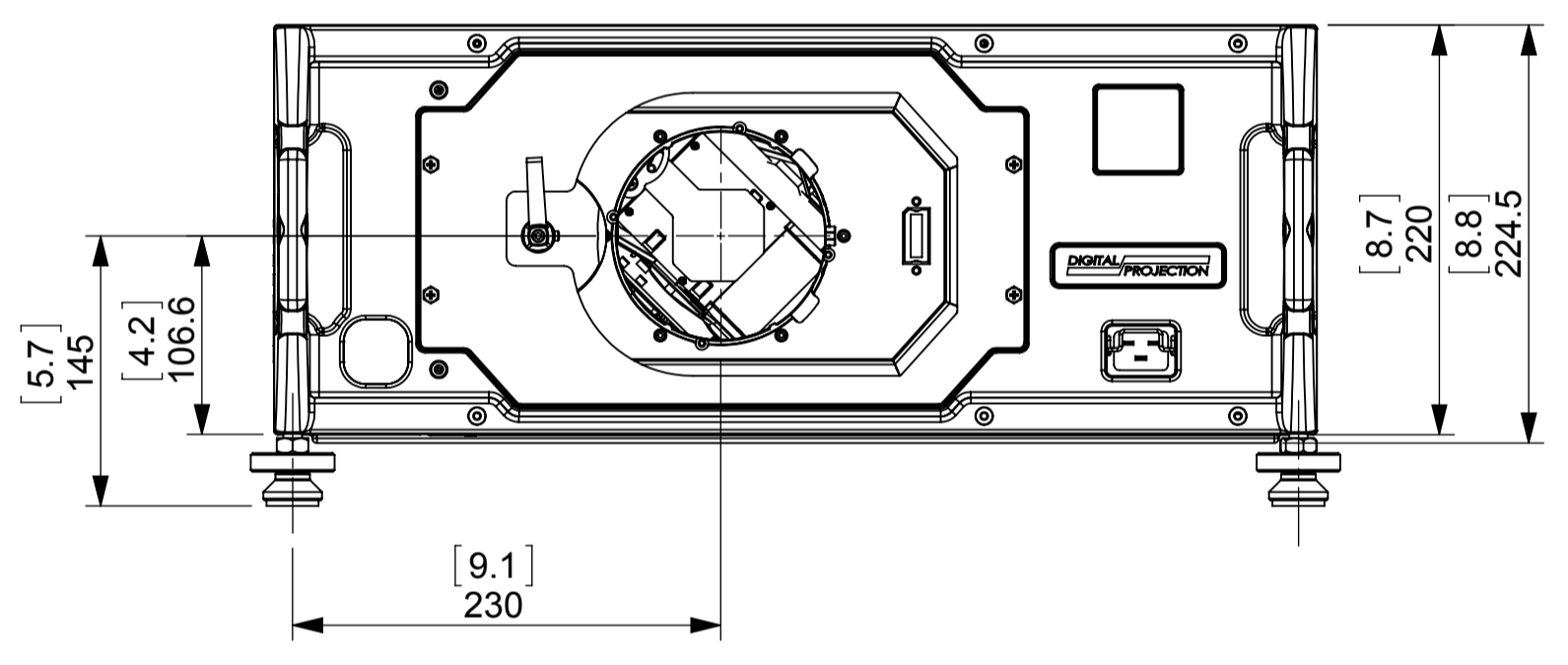
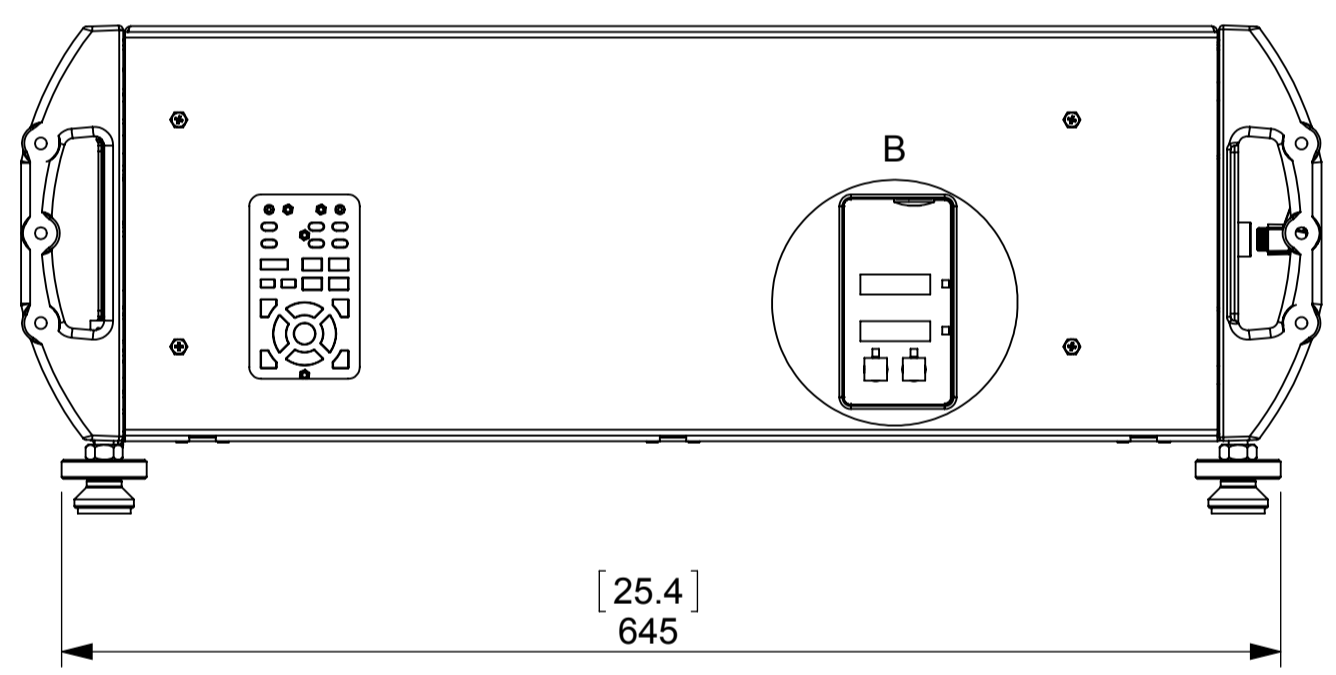
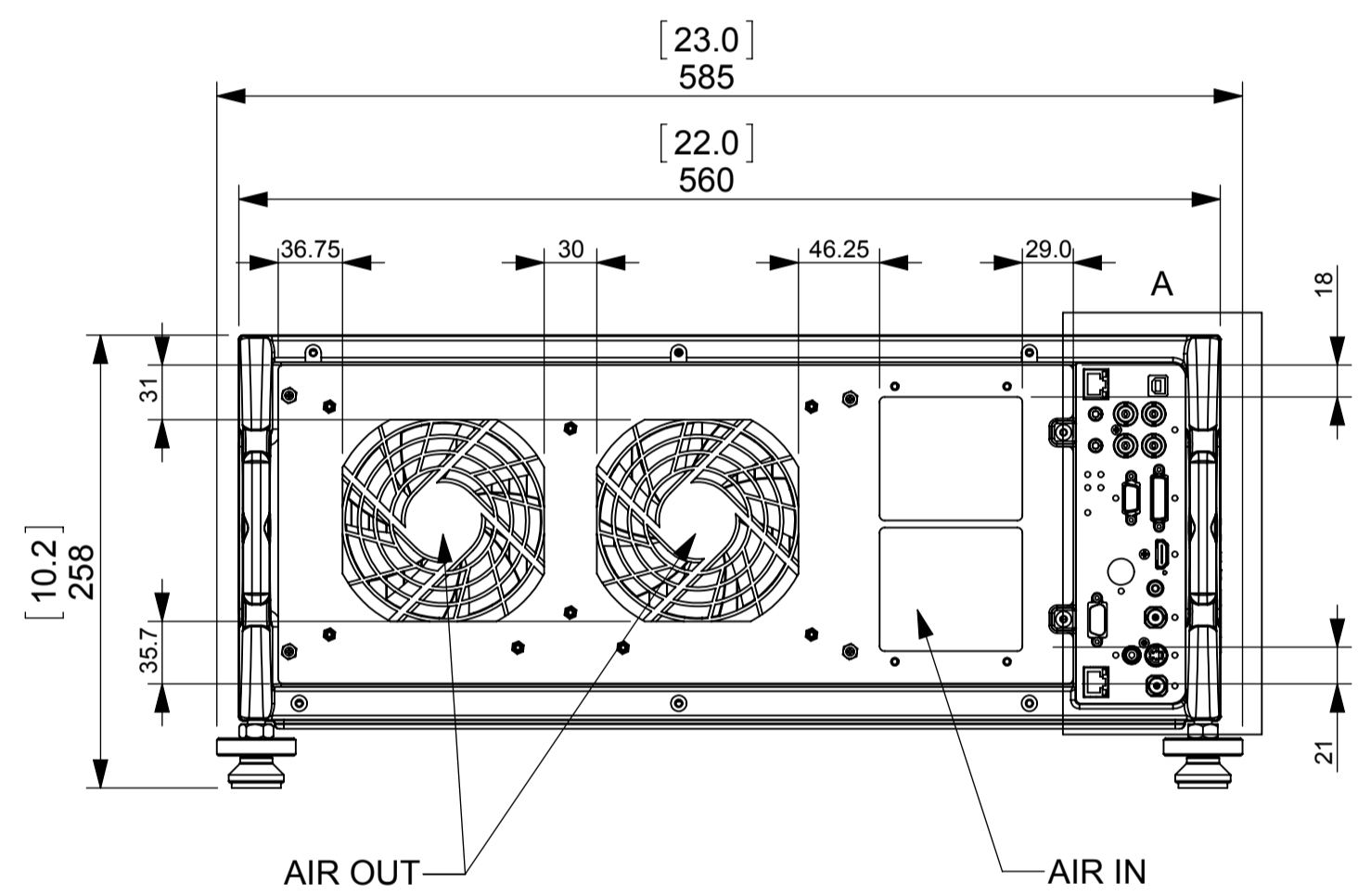
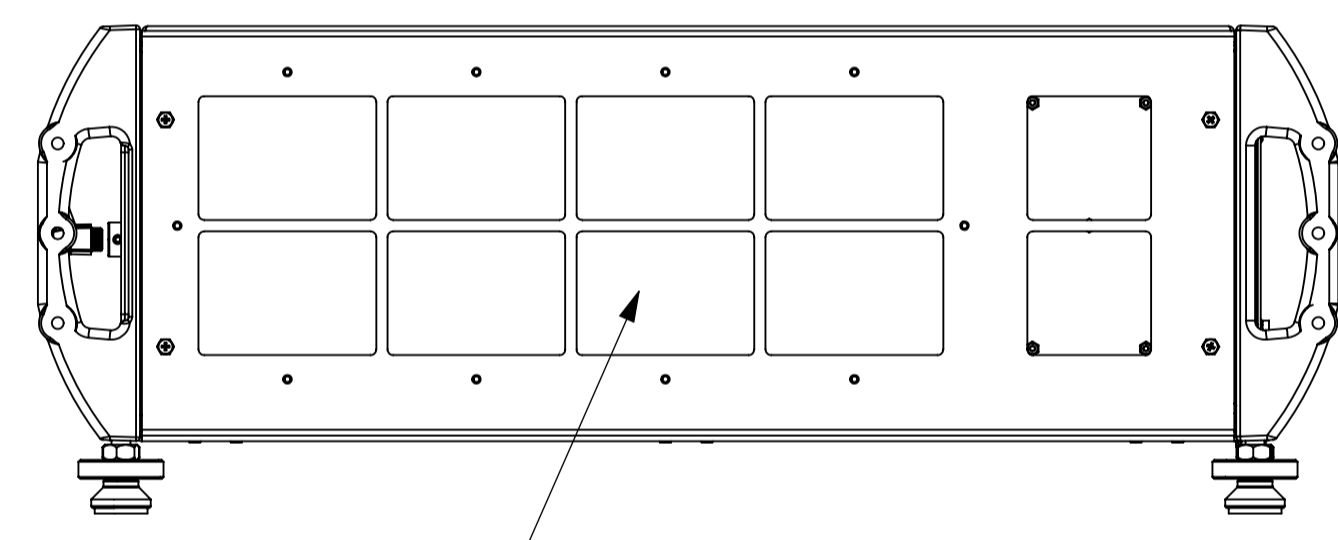


AT DRG No.
 PROPRIETARY INFORMATION
 This drawing is the property of Digital Projection and is not to be reproduced, copied, or disseminated in any form without the prior written permission of Digital Projection. All rights reserved.
 DRAWN BS 308
 2D Engineering
 Distribution Code

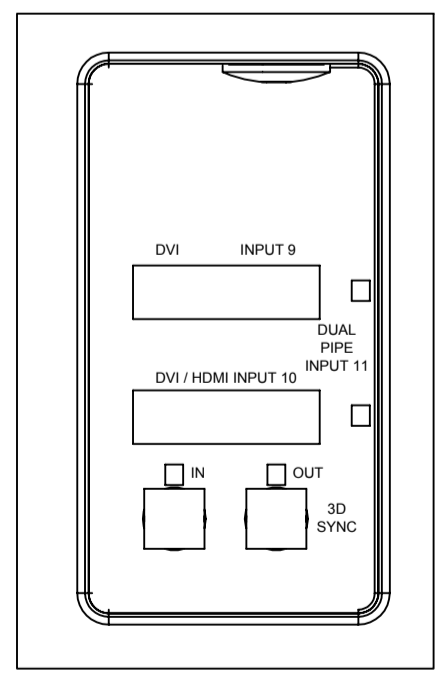


PLEASE NOTE: LENS EXTENSION MEASURED FROM FRONT FACE OF CASTING. FOR FURTHER INFORMATION SEE USER MANUAL

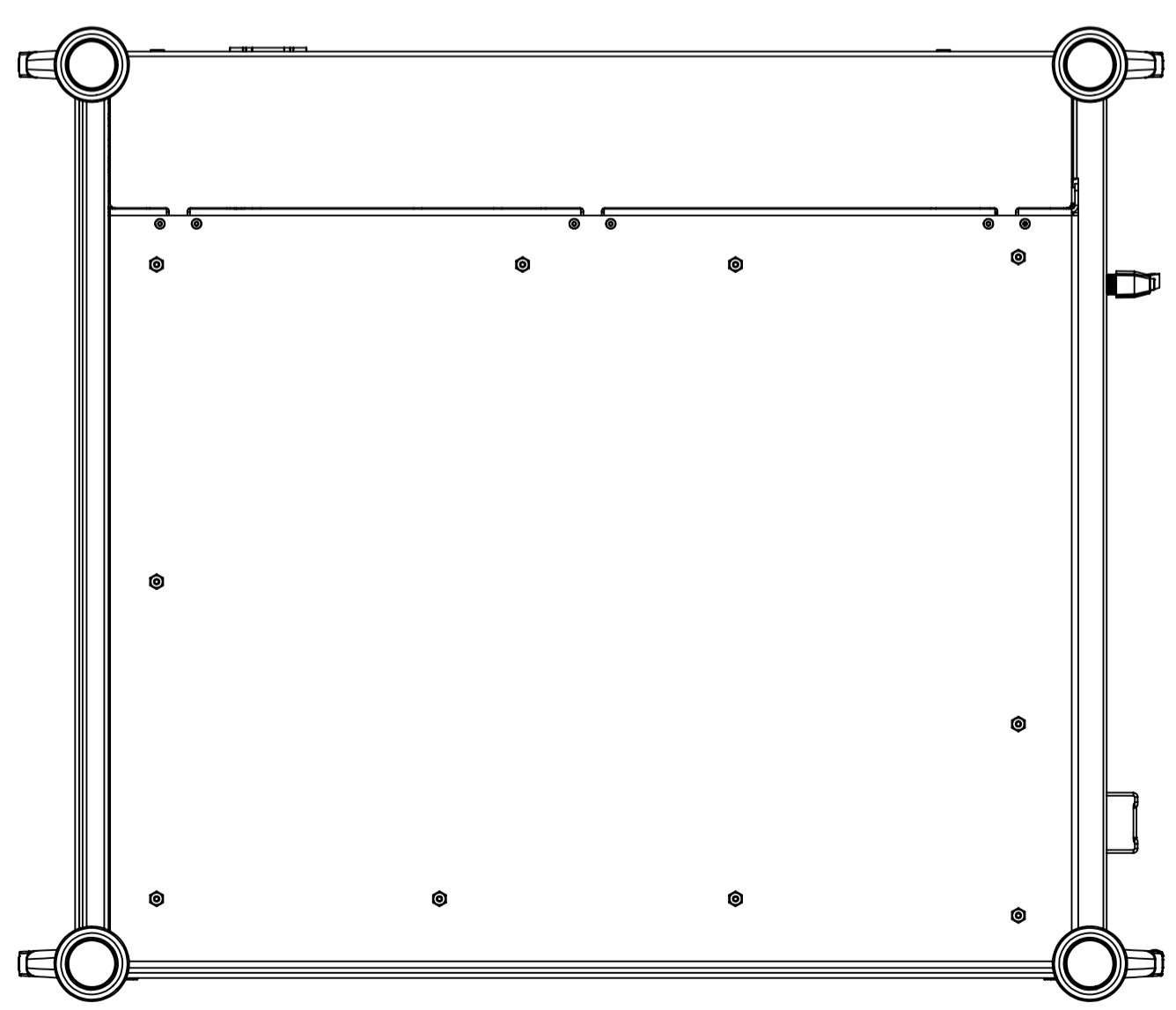
MOTOR GEARBOX COVER



A (1 : 1.5)



B (1 : 1.5)



PRE REVS	ITEM	DESCRIPTION	REFER TO	NO OF	REMARKS
7					
6					
5					
4					
3					
2					
1					

MATERIAL	CODE	FINISH

CAD GENERATED DRAWING
 DO NOT MAKE MANUAL CHANGES

LAST CHANGE
 DIMENSION ADDED 224.5

TOLERANCES UNLESS OTHERWISE STATED:	UNLESS OTHERWISE STATED:	DIMENSIONS IN MILLIMETRES
METRIC: 1.000 ± 0.01	REMOVE ALL BURRS & SHARP EDGES. DO NOT SCALE DRAWING.	
1.0 ± 0.2	THE SURFACE TEXTURE (ROUGHNESS NUMBER OF MACHINED SURFACES SHOULD BE EQUAL TO OR LESS THAN 8.0µm (NI CLASS))	
1 ± 0.4		
IMPERIAL: Fractional ± 0.004"	REV. B	
Decimal ± 0.005"	NOTE	
ANGLES ± 0° 30'	DRAWN DD	
	APP.DD	
	DATE 30-10-13	

FIRST USED ON	ORIGINAL SCALE	TITLE
	1:4	TITAN QUAD / 800 3D

DRAWN	DATE	COMPONENT OR DRG. No.
ddambrook	25-01-10	110-430

DIGITAL PROJECTION MIDDLETON M24 1XX

AT SHEET 1 OF 1